



ARTISAN

DELICATESSEN & SPECIALTY
COLLECTION

 **DISPLAYS**
Cayuga







BUILD YOUR OWN LINE-UP

Cayuga understands product merchandising today is about fresh presentation, versatility and innovation. Retailers require that their showcase lineups have the flexibility to maximize their available space, but also enable them to create their own distinctive look. This is where the Artisan Collection comes in: customizable cases designed to connect and form continuous and unique lineups.

The Artisan Collection reflects the latest styles and trends in the industry - helping you keep your look and brand fresh. Designed and manufactured at our own North American facility, the entire collection is fully customizable with a variety of finishes, colours, materials and other options. The modular design allows you to create a seamless line up - from 4 to 400ft.

And when you work with Cayuga Displays, you can always be confident we'll help you to select the right product and options, so that you have the food presentation that is certain to elevate your customers' experience and enhance your brand - beautifully.

"Longo's is pleased to support Cayuga Displays. Your team's quick service/turnaround for projects has helped us with our millwork for bakery and floral in past projects. More recently your team has come up with some cost effective refrigeration solutions for our bakery and produce."

Paul Collette,
Longo's Support Center
Project Manager Real Estate
and Construction

Table of Contents

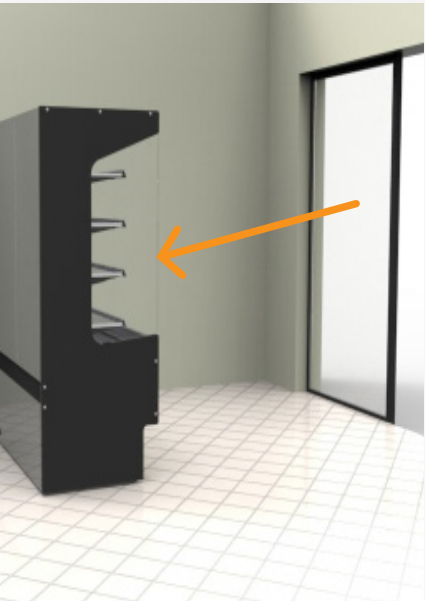
Things to Consider	6
Display Index	8
Delicatessen	9
Specialty	52
Important Case Information	62
How to Calculate Length of Line-up	62
How to Calculate Length of Line-up	63
Actual Case Length Calculation of Line-Up	64
Case Depths	65
Showcase Construction	66
Lift-Up Glass	66
Glass Profiles	67
Square Glass Design. Why Ours is Better	68
Front Decor Panel Styles	69
Exterior Finishes	70
Adjustability of the Cases	71
Cold and Slow Refrigeration Technology	72
Serviceability	73
Finishes	
Laminate	75
Wood Stains	77
Painted Metal	78
How to Order	79

THINGS TO CONSIDER

Showcases are designed to display your refrigerated products at 38-41°F (4-5°C). Showcases are designed to perform correctly when placed in environmental conditions of maximum 75°F (23°C) and 55% relative humidity.

When selecting a showcase and placing it in your store environment, you need to consider the following:

1 Consider nearby doorways



A location near a doorway will affect the airflow and holding temperature of open and closed showcases.

2 Consider nearby windows



Direct sunlight will affect the holding temperature of open or closed showcases.

3 Consider nearby vent sources and fans



HVAC ceiling vents and ceiling fans will affect the airflow of open showcases and could create condensation on the glass of closed showcases.

4 Ensure your display is level and plumb



Ensure your showcase is plumb and level to allow for proper drainage of condensation water.

Please note: These are critical points to ensure the best results for your space - and the best return on your investment!

Maintenance

Your showcase will work at its peak performance with regular maintenance. An owners' manual with maintenance instructions is included or you can also check out our online maintenance video.



Watch our maintenance video at cayugadisplays.com/maintenance



5 Leave appropriate space behind display



A 6" space is required behind any showcase that is against a wall or has a rear obstruction.

6 Clean your displays



Use the included brush to regularly wipe away dust. Too much dust will not allow the refrigeration to work properly and could result in damage.

7 NO warm product in case



Refrigerated displays are designed to KEEP COLD PRODUCT COLD - they are not designed to bring warm product down to a cold temperature. For food safety it is always imperative that warm product be properly chilled (using a blast chiller or cold room) prior to storing in the refrigerated display case.

8 Noise



Self-contained cases have compressor motors and fans and these will make noise, just as your household refrigerator makes noise. Keeping your showcase serviced and clean will help keep the noise level under control.

DISPLAY INDEX

DELICATESSEN

DFS - Delicatessen Full-Service Display	
Flat Front Glass with Sloped Back	12
Single Curve Front Glass with Sloped Back	14
Double Curve Front Glass with Sloped Back	16
Square Front Glass with Sloped Back	18
DSS - Delicatessen Self-Service Display	
Matches Flat Front Glass Service Display Profile	22
Matches Single Curve Front Glass Service Display Profile	24
Matches Double Curve Front Glass Service Display Profile	26
Matches Square Front Glass Service Display Profile	28
Matches High-Capacity Double Curve Front Glass Medium Depth Service Display Profile	30
Matches High-Capacity Square Front Glass Medium Depth Service Display Profile	32
DSD - Delicatessen Single Level Self-Service Display	
24" Front Height with a 36" Rear Height	36
24" Front Height with a 42" & 48" Rear Height	38
18" Front Height with a 30" Rear Height	40
18" Front Height with a 36" & 42" Rear Height	42
Refrigerated Display Accessories	44
DOUW - Delicatessen Combination Display	
Front Self-Service, Rear Food Preparation Station & Refrigerated Base Storage Cabinet	50

SPECIALTY

SSL - Upright Self-Service Display - Remote Refrigeration	
Five Level 76"H Upright Medium Depth Self-Service Display	54
Six Level 82"H Upright Medium Depth Self-Service Display	56
ISSL - Upright Self-Service Display - Remote Refrigeration	
Four Level 60"H Upright Medium Depth Self-Service Display	58
Four Level 60"H Upright Medium Depth Self-Service End Cap Display	60



DELICATESSEN



DFS - DELICATESSEN FULL-SERVICE DISPLAY

Flat Front Glass with Sloped Back



Page 12



Single Curve Front Glass with Sloped Back



Page 14



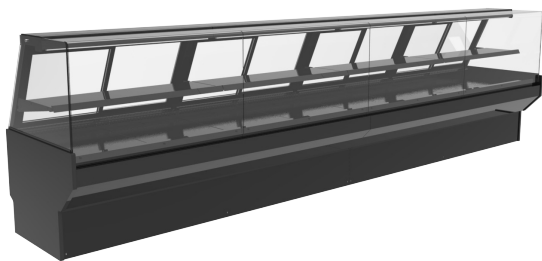
Double Curve Front Glass with Sloped Back



Page 16



Square Front Glass with Sloped Back



Page 18



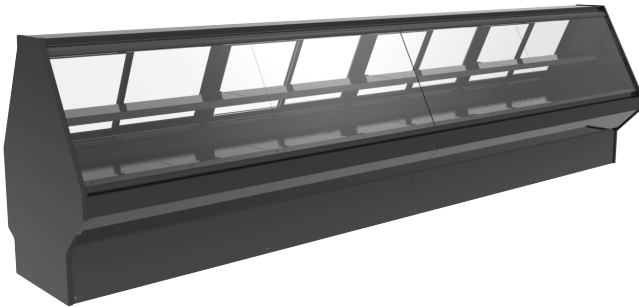
FLAT FRONT GLASS WITH SLOPED BACK

DFS - DELICATESSEN FULL-SERVICE DISPLAY

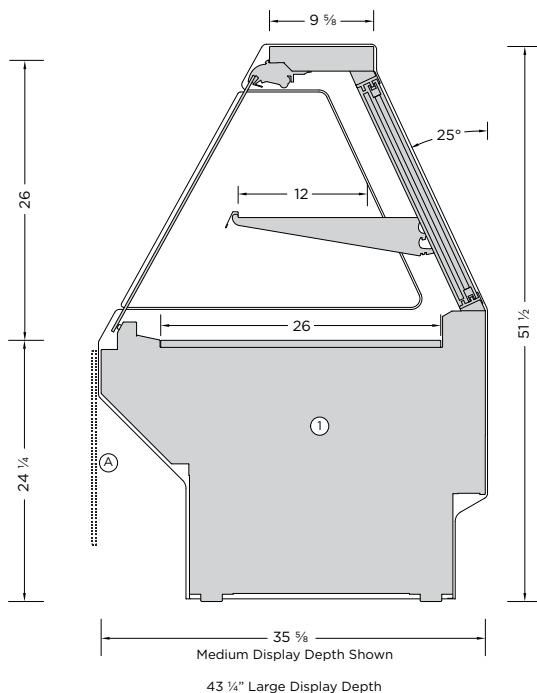
 REFRIGERATED

CREATE A DISPLAY LINE-UP OF ALMOST ANY LENGTH WITH A COMBINATION OF STANDARD DISPLAY LENGTHS

Standard features shown



Custom options available, refer to options schedule on next page.



MODEL	LENGTH
DFSS-38FL-M	38 1/4"
DFSS-48FL-M	47 7/8"
DFSS-57FL-M	57 3/8"
DFSS-76FL-M	76 1/2"
DFSS-96FL-M	95 5/8"

Length does not include end panels. Add 1" per panel.

FEATURES:

- Two display depths available, refer to the dimensioned illustration. ①
- Remote or self-contained refrigeration system options.
- Proprietary **Cold & Slow™** refrigeration design: high volume low velocity cooling.
- Many exterior finish options, powdercoat paint, brushed stainless steel, laminates, and natural wood finishes.
- Brushed stainless steel interior finish.
- LED light strips are mounted on the top ledge of the display area and under each shelf level.
- The LED lighting is available in various light intensities/spectrums.
- 1-12" adjustable brushed stainless steel shelves.
- Hydraulic lift-up front glass hardware.
- Rear sliding doors with sealed thermal glass.
- Front base décor panel options (A) provide a more customized look.
- Many display options offered. Refer to the options schedules on the next page.
- Engineered for serviceability and flexibility.
- Removeable base deck panels for easy cleaning and service.
- ETL electrical certification and NSF 7 standards.

Note: Information and specifications may change due to engineering improvements.



FLAT FRONT GLASS WITH SLOPED BACK

DFS - DELICATESSEN FULL-SERVICE DISPLAY

 REFRIGERATED

TECHNICAL SPECS (REMOTE REFRIGERATION)						
MODEL	LENGTH	VOLTS	AMPS	PLUG	BUTH	SUCTION
DFSS-38FL-M	38 ¼"	115	1.9	NEMA 5-15P	2440	25F
DFSS-48FL-M	47 ⅞"	115	2.1	NEMA 5-15P	2920	25F
DFSS-57FL-M	57 ⅜"	115	2.8	NEMA 5-15P	3370	25F
DFSS-76FL-M	76 ½"	115	3.4	NEMA 5-15P	4320	25F
DFSS-96FL-M	95 ⅝"	115	3.9	NEMA 5-15P	5320	25F

TECHNICAL SPECS FOR SELF-CONTAINED REFRIGERATION AVAILABLE UPON REQUEST

STANDARD FEATURES:

- Remote refrigeration.
- Medium display depth 35 ⅝".
- Brushed stainless steel interior finish.
- Black or white painted front exterior metal décor pan with a 4" vertical flat panel.
- LED light strips are mounted on the top ledge of the display area.
- 1-12" adjustable brushed stainless steel shelf.
- Hydraulic lift-up front glass hardware
- Flat front glass

CUSTOM FEATURES:

EXTERIOR FINISHES	
Formica laminate finish: _____	
Other laminate finish (specify): _____	
Brushed Stainless Steel	
Oak Veneer Plywood	
Birch/Maple Veneer Plywood	
- Vertical grain direction	
- Horizontal grain direction	
- Clear Finish	
- Stain Finish	
11 ½"H extended front décor panel	
18"H extended front décor panel	
1" black McCue impact bumper strip applied to the front of the display	
Other McCue impact bumper sizes and colors available	

ADDITIONAL FEATURES:

- Designed to maintain the critical temperature of the products within the display at a range of 38-41°F (3-5°C) with an ambient atmosphere of 75°F (24°C)/55% humidity. Designed for holding pre-chilled product only.
- 1-year parts and labor warranty.

END PANELS	
The same interior/exterior laminate	
Brushed stainless steel interior	
Mirrored laminate interior	
Tempered glass pane	
Mirrored tempered glass pane	
1" black McCue impact bumper strip applied to the end panel	
Other McCue impact bumper sizes and colors available	

MISCELLANEOUS	
Large display depth 43 ¼"	
Mirroring added to the rear sliding doors	
Brushed stainless steel scale stand	
Fold-down rear work shelf	
- White nylon top	
- Brushed stainless steel top	
Aluminum price tag mould attached to the front of the shelf	
Plastic price stripping attached to the front of the shelf	
Self-contained refrigeration with the new R-513A (non-ozone depleting, low global warming potential) refrigerant	

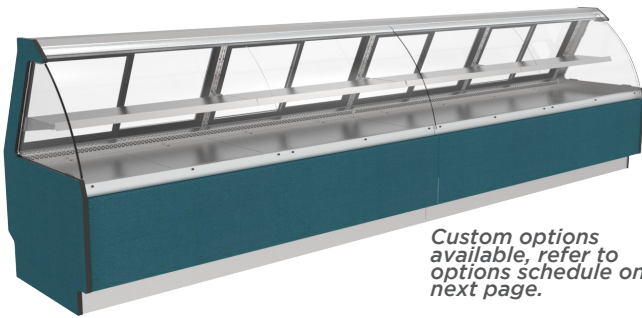
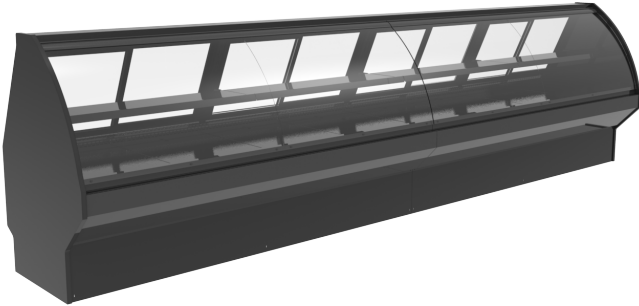
SINGLE CURVE FRONT GLASS WITH SLOPED BACK

DFS - DELICATESSEN FULL-SERVICE DISPLAY

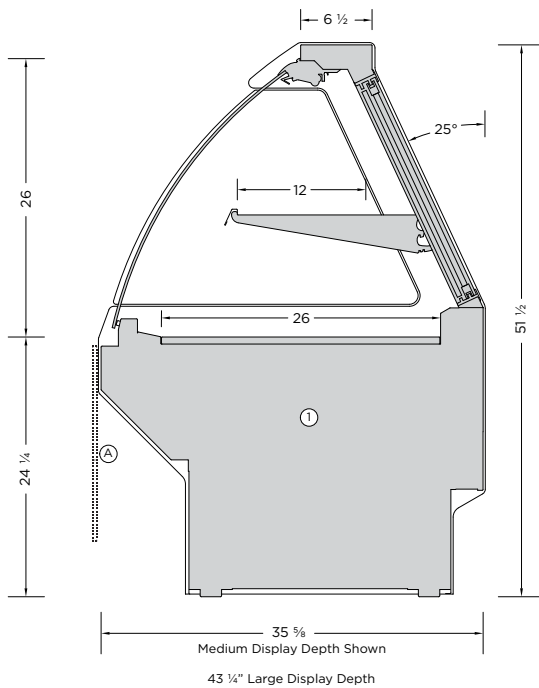
 REFRIGERATED

CREATE A DISPLAY LINE-UP OF ALMOST ANY LENGTH WITH A COMBINATION OF STANDARD DISPLAY LENGTHS

Standard features shown



Custom options available, refer to options schedule on next page.



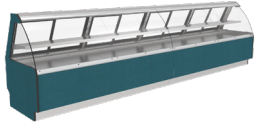
MODEL	LENGTH
DFSS-38SC-M	38 1/4"
DFSS-48SC-M	47 7/8"
DFSS-57SC-M	57 3/8"
DFSS-76SC-M	76 1/2"
DFSS-96SC-M	95 5/8"

Length does not include end panels. Add 1" per panel.

FEATURES:

- Two display depths available, refer to the dimensioned illustration. ①
- Remote or self-contained refrigeration system options.
- Proprietary **Cold & Slow™** refrigeration design: high volume low velocity cooling.
- Many exterior finish options, powdercoat paint, brushed stainless steel, laminates, and natural wood finishes.
- Brushed stainless steel interior finish.
- LED light strips are mounted on the top ledge of the display area and under each shelf level.
- The LED lighting is available in various light intensities/spectrums.
- 1-12" adjustable brushed stainless steel shelves.
- Hydraulic lift-up front glass hardware.
- Rear sliding doors with sealed thermal glass.
- Front base décor panel options ② provide a more customized look.
- Many display options offered. Refer to the options schedules on the next page.
- Engineered for serviceability and flexibility.
- Removeable base deck panels for easy cleaning and service.
- ETL electrical certification and NSF 7 standards.

Note: Information and specifications may change due to engineering improvements.



SINGLE CURVE FRONT GLASS WITH SLOPED BACK

DFS - DELICATESSEN FULL-SERVICE DISPLAY

 REFRIGERATED

TECHNICAL SPECS (REMOTE REFRIGERATION)						
MODEL	LENGTH	VOLTS	AMPS	PLUG	BUTH	SUCTION
DFSS-38SC-M	38 ¼"	115	1.9	NEMA 5-15P	2440	25F
DFSS-48SC-M	47 ⅞"	115	2.1	NEMA 5-15P	2920	25F
DFSS-57SC-M	57 ⅜"	115	2.8	NEMA 5-15P	3370	25F
DFSS-76SC-M	76 ½"	115	3.4	NEMA 5-15P	4320	25F
DFSS-96SC-M	95 ⅝"	115	3.9	NEMA 5-15P	5320	25F

TECHNICAL SPECS FOR SELF-CONTAINED REFRIGERATION AVAILABLE UPON REQUEST

STANDARD FEATURES:

- Remote refrigeration.
- Medium display depth 35 ⅝".
- Brushed stainless steel interior finish.
- Black or white painted front exterior metal décor pan with a 4" vertical flat panel.
- LED light strips are mounted on the top ledge of the display area.
- 1-12" adjustable brushed stainless steel shelf.
- Hydraulic lift-up front glass hardware
- Single Curve front glass

CUSTOM FEATURES:

EXTERIOR FINISHES	
Formica laminate finish: _____	
Other laminate finish (specify): _____	
Brushed Stainless Steel	
Oak Veneer Plywood	
Birch/Maple Veneer Plywood	
- Vertical grain direction	
- Horizontal grain direction	
- Clear Finish	
- Stain Finish	
11 ½"H extended front décor panel	
18"H extended front décor panel	
1" black McCue impact bumper strip applied to the front of the display	
Other McCue impact bumper sizes and colors available	

ADDITIONAL FEATURES:

- Designed to maintain the critical temperature of the products within the display at a range of 38-41°F (3-5°C) with an ambient atmosphere of 75°F (24°C)/55% humidity. Designed for holding pre-chilled product only.
- 1-year parts and labor warranty.

END PANELS	
The same interior/exterior laminate	
Brushed stainless steel interior	
Mirrored laminate interior	
Tempered glass pane	
Mirrored tempered glass pane	
1" black McCue impact bumper strip applied to the end panel	
Other McCue impact bumper sizes and colors available	

MISCELLANEOUS	
Large display depth 43 ¼"	
Mirroring added to the rear sliding doors	
Brushed stainless steel scale stand	
Fold-down rear work shelf	
- White nylon top	
- Brushed stainless steel top	
Aluminum price tag mould attached to the front of the shelf	
Plastic price stripping attached to the front of the shelf	
Self-contained refrigeration with the new R-513A (non-ozone depleting, low global warming potential) refrigerant	

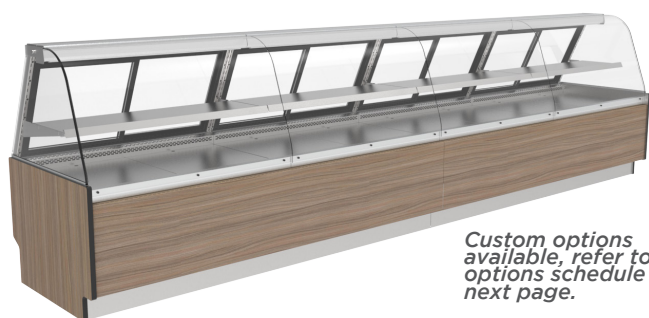
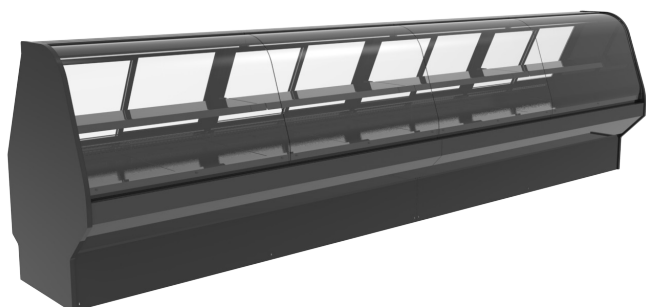
DOUBLE CURVE FRONT GLASS WITH SLOPED BACK

DFS - DELICATESSEN FULL-SERVICE DISPLAY

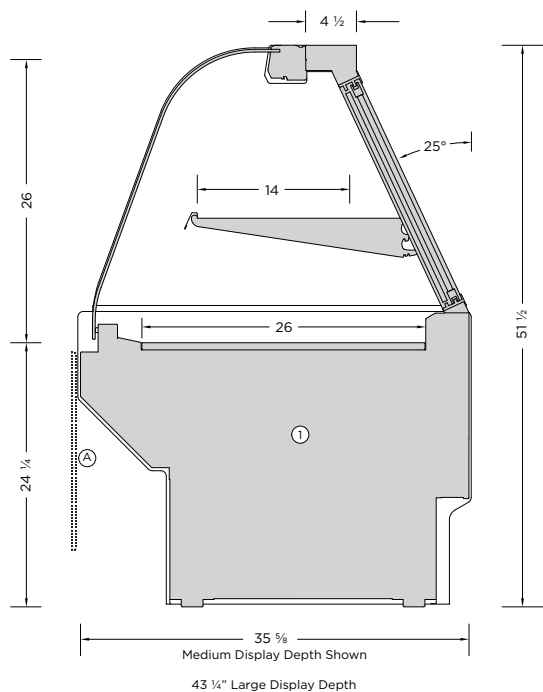
 REFRIGERATED

CREATE A DISPLAY LINE-UP OF ALMOST ANY LENGTH WITH A COMBINATION OF STANDARD DISPLAY LENGTHS

Standard features shown



Custom options available, refer to options schedule on next page.



MODEL	LENGTH
DFSS-38DC-M	38 1/4"
DFSS-48DC-M	47 7/8"
DFSS-57DC-M	57 3/8"
DFSS-76DC-M	76 1/2"
DFSS-96DC-M	95 5/8"

Length does not include end panels. Add 1" per panel.

FEATURES:

- Two display depths available, refer to the dimensioned illustration. ①
- Remote or self-contained refrigeration system options.
- Proprietary **Cold & Slow™** refrigeration design: high volume low velocity cooling.
- Many exterior finish options, powdercoat paint, brushed stainless steel, laminates, and natural wood finishes.
- Brushed stainless steel interior finish.
- LED light strips are mounted on the top ledge of the display area and under each shelf level.
- The LED lighting is available in various light intensities/spectrums.
- 1-12" adjustable brushed stainless steel shelves.
- Hydraulic lift-up front glass hardware.
- Rear sliding doors with sealed thermal glass.
- Front base décor panel options Ⓐ provide a more customized look.
- Many display options offered. Refer to the options schedules on the next page.
- Engineered for serviceability and flexibility.
- Removeable base deck panels for easy cleaning and service.
- ETL electrical certification and NSF 7 standards.

Note: Information and specifications may change due to engineering improvements.



DOUBLE CURVE FRONT GLASS WITH SLOPED BACK

DFS - DELICATESSEN FULL-SERVICE DISPLAY

 REFRIGERATED

TECHNICAL SPECS (REMOTE REFRIGERATION)						
MODEL	LENGTH	VOLTS	AMPS	PLUG	BUTH	SUCTION
DFSS-38DC-M	38 ¼"	115	1.9	NEMA 5-15P	2440	25F
DFSS-48DC-M	47 ⅞"	115	2.1	NEMA 5-15P	2920	25F
DFSS-57DC-M	57 ⅜"	115	2.8	NEMA 5-15P	3370	25F
DFSS-76DC-M	76 ½"	115	3.4	NEMA 5-15P	4320	25F
DFSS-96DC-M	95 ⅝"	115	3.9	NEMA 5-15P	5320	25F

TECHNICAL SPECS FOR SELF-CONTAINED REFRIGERATION AVAILABLE UPON REQUEST

STANDARD FEATURES:

- Remote refrigeration.
- Medium display depth 35 ⅝".
- Brushed stainless steel interior finish.
- Black or white painted front exterior metal décor pan with a 4" vertical flat panel.
- LED light strips are mounted on the top ledge of the display area.
- 1-12" adjustable brushed stainless steel shelf.
- Hydraulic lift-up front glass hardware
- Double Curve front glass

CUSTOM FEATURES:

EXTERIOR FINISHES	
Formica laminate finish: _____	
Other laminate finish (specify): _____	
Brushed Stainless Steel	
Oak Veneer Plywood	
Birch/Maple Veneer Plywood	
- Vertical grain direction	
- Horizontal grain direction	
- Clear Finish	
- Stain Finish	
11 ½"H extended front décor panel	
18"H extended front décor panel	
1" black McCue impact bumper strip applied to the front of the display	
Other McCue impact bumper sizes and colors available	

ADDITIONAL FEATURES:

- Designed to maintain the critical temperature of the products within the display at a range of 38-41°F (3-5°C) with an ambient atmosphere of 75°F (24°C)/55% humidity. Designed for holding pre-chilled product only.
- 1-year parts and labor warranty.

END PANELS	
The same interior/exterior laminate	
Brushed stainless steel interior	
Mirrored laminate interior	
Tempered glass pane	
Mirrored tempered glass pane	
1" black McCue impact bumper strip applied to the end panel	
Other McCue impact bumper sizes and colors available	

MISCELLANEOUS	
Large display depth 43 ¼"	
Mirroring added to the rear sliding doors	
Brushed stainless steel scale stand	
Fold-down rear work shelf	
- White nylon top	
- Brushed stainless steel top	
Aluminum price tag mould attached to the front of the shelf	
Plastic price stripping attached to the front of the shelf	
Self-contained refrigeration with the new R-513A (non-ozone depleting, low global warming potential) refrigerant	

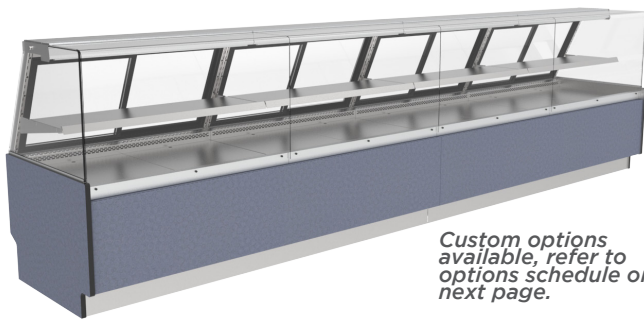
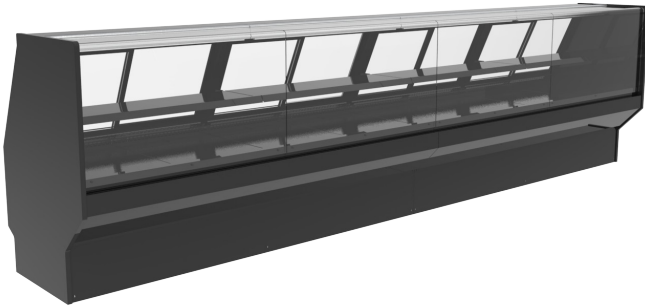
SQUARE FRONT GLASS WITH SLOPED BACK

DFS - DELICATESSEN FULL-SERVICE DISPLAY

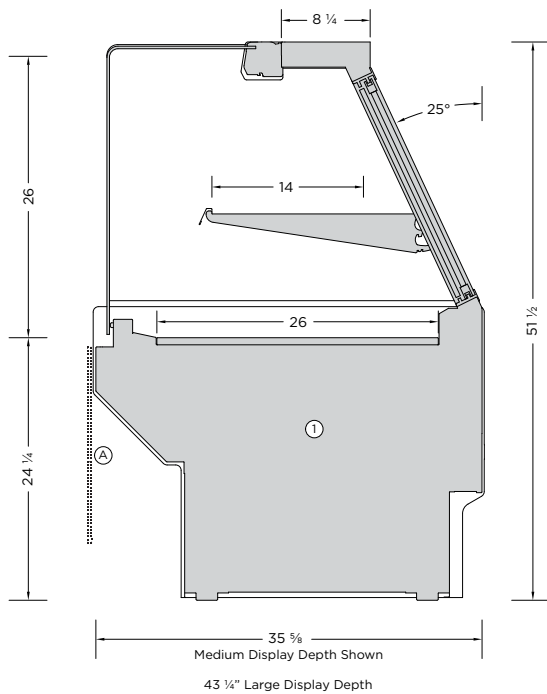
 REFRIGERATED

CREATE A DISPLAY LINE-UP OF ALMOST ANY LENGTH WITH A COMBINATION OF STANDARD DISPLAY LENGTHS

Standard features shown



Custom options available, refer to options schedule on next page.



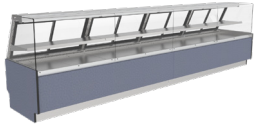
MODEL	LENGTH
DFSS-38SQ-M	38 1/4"
DFSS-48SQ-M	47 7/8"
DFSS-57SQ-M	57 3/8"
DFSS-76SQ-M	76 1/2"
DFSS-96SQ-M	95 5/8"

Length does not include end panels. Add 1" per panel.

FEATURES:

- Two display depths available, refer to the dimensioned illustration. ①
- Remote or self-contained refrigeration system options.
- Proprietary **Cold & Slow™** refrigeration design: high volume low velocity cooling.
- Many exterior finish options, powdercoat paint, brushed stainless steel, laminates, and natural wood finishes.
- Brushed stainless steel interior finish.
- LED light strips are mounted on the top ledge of the display area and under each shelf level.
- The LED lighting is available in various light intensities/spectrums.
- 1-12" adjustable brushed stainless steel shelves.
- Hydraulic lift-up front glass hardware.
- Rear sliding doors with sealed thermal glass.
- Front base décor panel options ② provide a more customized look.
- Many display options offered. Refer to the options schedules on the next page.
- Engineered for serviceability and flexibility.
- Removeable base deck panels for easy cleaning and service.
- ETL electrical certification and NSF 7 standards.

Note: Information and specifications may change due to engineering improvements.



SQUARE FRONT GLASS WITH SLOPED BACK

DFS - DELICATESSEN FULL-SERVICE DISPLAY

 REFRIGERATED

TECHNICAL SPECS (REMOTE REFRIGERATION)						
MODEL	LENGTH	VOLTS	AMPS	PLUG	BUTH	SUCTION
DFSS-38SQ-M	38 ¼"	115	1.9	NEMA 5-15P	2440	25F
DFSS-48SQ-M	47 ⅞"	115	2.1	NEMA 5-15P	2920	25F
DFSS-57SQ-M	57 ⅜"	115	2.8	NEMA 5-15P	3370	25F
DFSS-76SQ-M	76 ½"	115	3.4	NEMA 5-15P	4320	25F
DFSS-96SQ-M	95 ⅝"	115	3.9	NEMA 5-15P	5320	25F

TECHNICAL SPECS FOR SELF-CONTAINED REFRIGERATION AVAILABLE UPON REQUEST

STANDARD FEATURES:

- Remote refrigeration.
- Medium display depth 35 ⅝".
- Brushed stainless steel interior finish.
- Black or white painted front exterior metal décor pan with a 4" vertical flat panel.
- LED light strips are mounted on the top ledge of the display area.
- 1-12" adjustable brushed stainless steel shelf.
- Hydraulic lift-up front glass hardware
- Square front glass

CUSTOM FEATURES:

EXTERIOR FINISHES	
Formica laminate finish: _____	
Other laminate finish (specify): _____	
Brushed Stainless Steel	
Oak Veneer Plywood	
Birch/Maple Veneer Plywood	
- Vertical grain direction	
- Horizontal grain direction	
- Clear Finish	
- Stain Finish	
11 ½"H extended front décor panel	
18"H extended front décor panel	
1" black McCue impact bumper strip applied to the front of the display	
Other McCue impact bumper sizes and colors available	

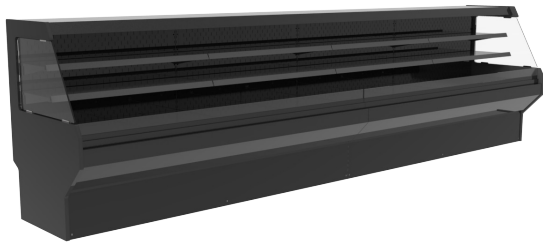
ADDITIONAL FEATURES:

- Designed to maintain the critical temperature of the products within the display at a range of 38-41°F (3-5°C) with an ambient atmosphere of 75°F (24°C)/55% humidity. Designed for holding pre-chilled product only.
- 1-year parts and labor warranty.

END PANELS	
The same interior/exterior laminate	
Brushed stainless steel interior	
Mirrored laminate interior	
Tempered glass pane	
Mirrored tempered glass pane	
1" black McCue impact bumper strip applied to the end panel	
Other McCue impact bumper sizes and colors available	

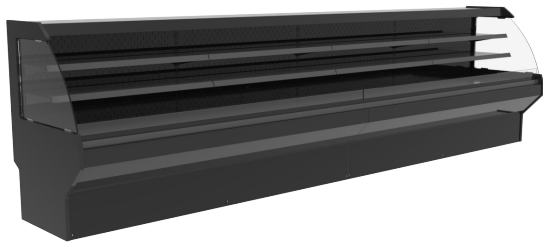
MISCELLANEOUS	
Large display depth 43 ¼"	
Mirroring added to the rear sliding doors	
Brushed stainless steel scale stand	
Fold-down rear work shelf	
- White nylon top	
- Brushed stainless steel top	
Aluminum price tag mould attached to the front of the shelf	
Plastic price stripping attached to the front of the shelf	
Self-contained refrigeration with the new R-513A (non-ozone depleting, low global warming potential) refrigerant	

DSS - DELICATESSEN SELF-SERVICE DISPLAY



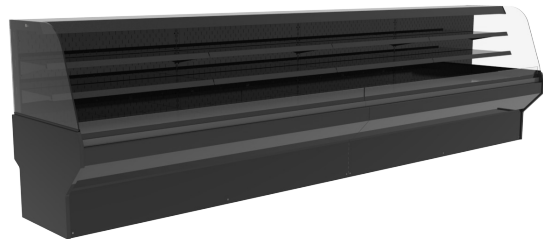
Matches Flat Front Glass Service Display Profile

Page 22



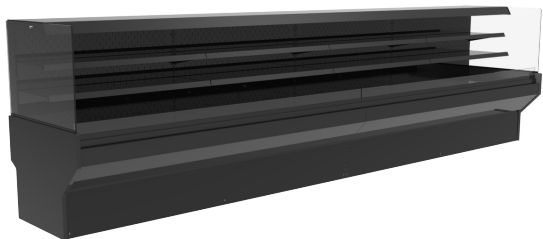
Matches Single Curve Front Glass Service Display Profile

Page 24



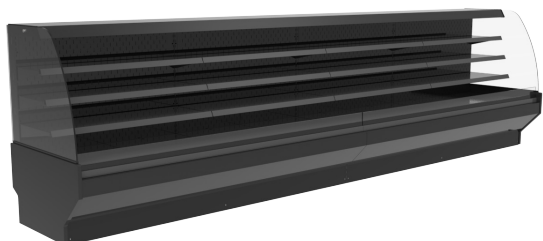
Matches Double Curve Front Glass Service Display Profile

Page 26



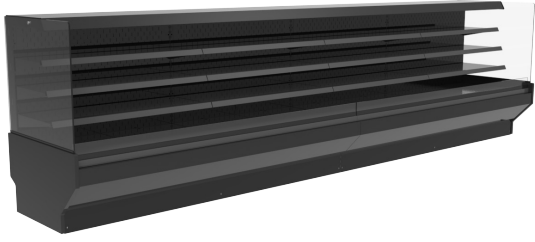
Matches Square Front Glass Service Display Profile

Page 28



High-Capacity Medium Depth Service Display Curved End Panel Profile

Page 30



High-Capacity Medium Depth Service Display Square End Panel Profile

Page 32

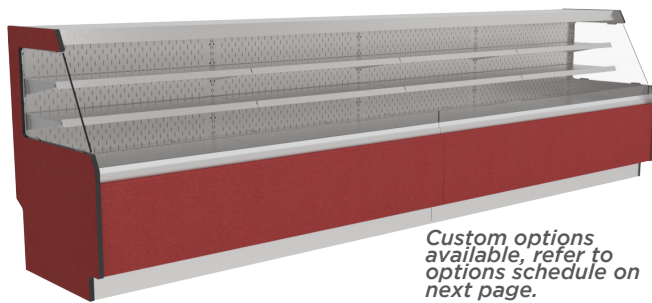
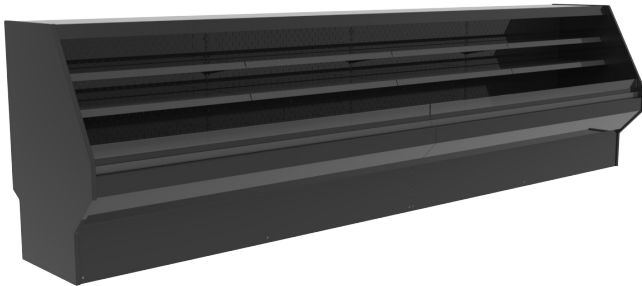
MATCHES FLAT FRONT GLASS SERVICE DISPLAY PROFILE

DSS - DELICATESSEN SELF-SERVICE DISPLAY

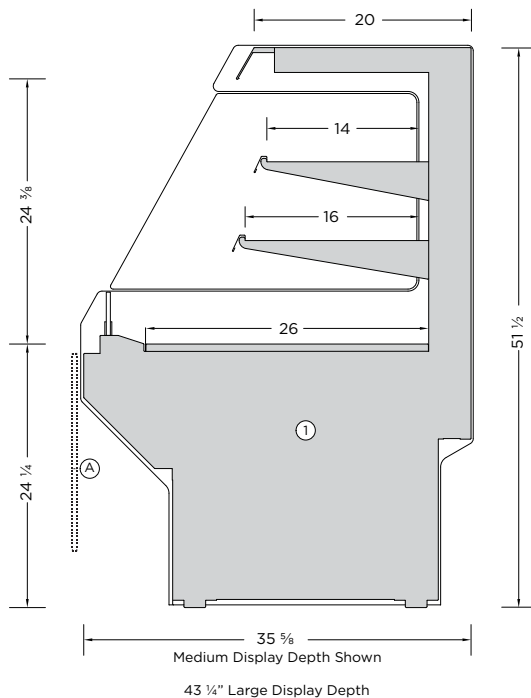
 REFRIGERATED

CREATE A DISPLAY LINE-UP OF ALMOST ANY LENGTH WITH A COMBINATION OF STANDARD DISPLAY LENGTHS

Standard features shown



Custom options available, refer to options schedule on next page.



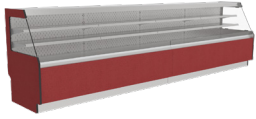
MODEL	LENGTH
DSSV-38FL-M	38 1/4"
DSSV-48FL-M	47 7/8"
DSSV-57FL-M	57 3/8"
DSSV-76FL-M	76 1/2"
DSSV-96FL-M	95 5/8"

Length does not include end panels. Add 1" per panel.

FEATURES:

- Designed to match DFS-FL display height and depth.
- Two display depths available, refer to the dimensioned illustration. ①
- Remote or self-contained refrigeration system options.
- Many exterior finish options, powdercoat paint, brushed stainless steel, laminates, and natural wood finishes.
- Brushed stainless steel interior finish.
- LED light strips are mounted on the top ledge of the display area and under each shelf level.
- The LED lighting is available in various light intensities/spectrums.
- 1-14" and 1-16" adjustable brushed stainless steel shelves with integrated front product stop.
- Top mounted roll-down night curtain.
- Front base décor panel options ② provide a more customized look.
- Many display options offered. Refer to the options schedules on the next page.
- Engineered for serviceability and flexibility.
- Removeable base deck panels for easy cleaning and service.
- ETL electrical certification and NSF 7 standards.

Note: Information and specifications may change due to engineering improvements.



MATCHES FLAT FRONT GLASS SERVICE DISPLAY PROFILE

DSS - DELICATESSEN SELF-SERVICE DISPLAY

REFRIGERATED

TECHNICAL SPECS (REMOTE REFRIGERATION)						
MODEL	LENGTH	VOLTS	AMPS	PLUG	BUTH	SUCTION
DSSV-38FL-M	38 ¼"	115	1.6	NEMA 5-15P	3575	20F
DSSV-48FL-M	47 ⅞"	115	1.8	NEMA 5-15P	4340	20F
DSSV-57FL-M	57 ⅜"	115	2.5	NEMA 5-15P	5055	20F
DSSV-76FL-M	76 ½"	115	2.8	NEMA 5-15P	6630	20F
DSSV-96FL-M	95 ⅝"	115	3.3	NEMA 5-15P	8160	20F

TECHNICAL SPECS FOR SELF-CONTAINED REFRIGERATION AVAILABLE UPON REQUEST

STANDARD FEATURES:

- Remote refrigeration.
- Medium display depth 35 ⅝".
- Brushed stainless steel interior finish.
- Black or white painted front exterior metal décor pan with a 4" vertical flat panel.
- LED light strips are mounted on the top ledge of the display area and under each shelf level.
- 1-14" and 1-16" adjustable brushed stainless steel with integrated front product stop.
- Top mounted roll-down night curtain
- Flat front glass profile

CUSTOM FEATURES:

EXTERIOR FINISHES	
Formica laminate finish: _____	
Other laminate finish (specify): _____	
Brushed Stainless Steel	
Oak Veneer Plywood	
Birch/Maple Veneer Plywood	
- Vertical grain direction	
- Horizontal grain direction	
- Clear Finish	
- Stain Finish	
11 ½"H extended front décor panel	
18"H extended front décor panel	
1" black McCue impact bumper strip applied to the front of the display	
Other McCue impact bumper sizes and colors available	

ADDITIONAL FEATURES:

- Designed to maintain the critical temperature of the products within the display at a range of 38-41°F (3-5°C) with an ambient atmosphere of 75°F (24°C)/55% humidity. Designed for holding pre-chilled product only.
- 1-year parts and labor warranty.

END PANELS	
The same interior/exterior laminate	
Brushed stainless steel interior	
Mirrored laminate interior	
Tempered glass pane	
Mirrored tempered glass pane	
1" black McCue impact bumper strip applied to the end panel	
Other McCue impact bumper sizes and colors available	

MISCELLANEOUS	
Large display depth 43 ¼"	
Additional metal shelf with integrated LED lighting	
Aluminum or painted price tag mould attached to the front of the shelves	
Plastic price stripping attached to the front of the shelves	
4"H x 6 ½"D 3 Tier stepped riser	
4"H x 5 ¼"D 4 Tier stepped riser	
2 ½"H x 13"D Single step riser	
4"H x 9"D Single step riser	
Clip-in angled base inlay	
Top mounted clip-on dry shelves	
Clip-on sign panels	
Self-contained refrigeration with the new R-513A (non-ozone depleting, low global warming potential) refrigerant	

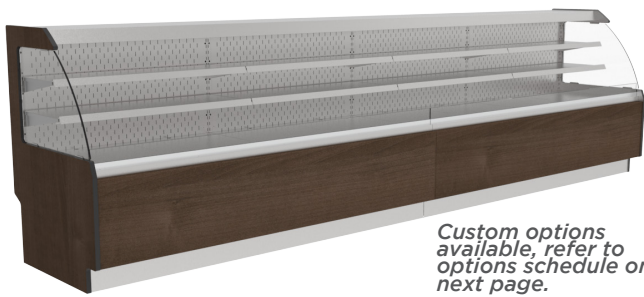
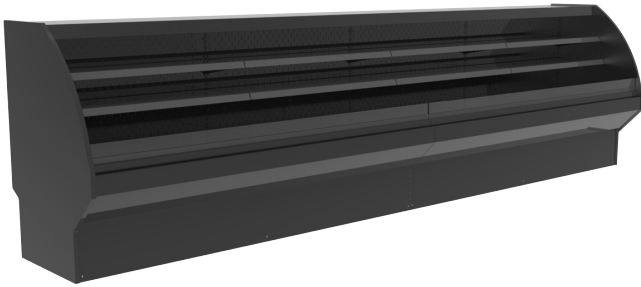
MATCHES SINGLE CURVE FRONT GLASS SERVICE DISPLAY PROFILE

DSS - DELICATESSEN SELF-SERVICE DISPLAY

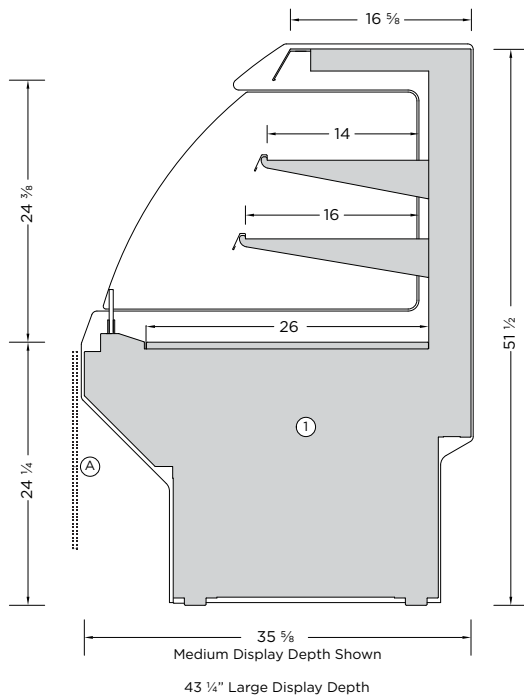
 REFRIGERATED

CREATE A DISPLAY LINE-UP OF ALMOST ANY LENGTH WITH A COMBINATION OF STANDARD DISPLAY LENGTHS

Standard features shown



Custom options available, refer to options schedule on next page.



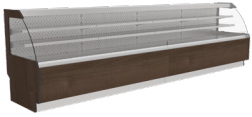
MODEL	LENGTH
DSSV-38SC-M	38 1/4"
DSSV-48SC-M	47 7/8"
DSSV-57SC-M	57 3/8"
DSSV-76SC-M	76 1/2"
DSSV-96SC-M	95 5/8"

Length does not include end panels. Add 1" per panel.

FEATURES:

- Designed to match DFS-SC display height and depth.
- Two display depths available, refer to the dimensioned illustration. ①
- Remote or self-contained refrigeration system options.
- Many exterior finish options, powdercoat paint, brushed stainless steel, laminates, and natural wood finishes.
- Brushed stainless steel interior finish.
- LED light strips are mounted on the top ledge of the display area and under each shelf level.
- The LED lighting is available in various light intensities/spectrums.
- 1-14" and 1-16" adjustable brushed stainless steel shelves with integrated front product stop.
- Top mounted roll-down night curtain.
- Front base décor panel options (A) provide a more customized look.
- Many display options offered. Refer to the options schedules on the next page.
- Engineered for serviceability and flexibility.
- Removeable base deck panels for easy cleaning and service.
- ETL electrical certification and NSF 7 standards.

Note: Information and specifications may change due to engineering improvements.



MATCHES SINGLE CURVE FRONT GLASS SERVICE DISPLAY PROFILE

DSS - DELICATESSEN SELF-SERVICE DISPLAY

 REFRIGERATED

TECHNICAL SPECS (REMOTE REFRIGERATION)						
MODEL	LENGTH	VOLTS	AMPS	PLUG	BUTH	SUCTION
DSSV-38SC-M	38 ¼"	115	1.6	NEMA 5-15P	3575	20F
DSSV-48SC-M	47 ⅞"	115	1.8	NEMA 5-15P	4340	20F
DSSV-57SC-M	57 ⅜"	115	2.5	NEMA 5-15P	5055	20F
DSSV-76SC-M	76 ½"	115	2.8	NEMA 5-15P	6630	20F
DSSV-96SC-M	95 ⅝"	115	3.3	NEMA 5-15P	8160	20F

TECHNICAL SPECS FOR SELF-CONTAINED REFRIGERATION AVAILABLE UPON REQUEST

STANDARD FEATURES:

- Remote refrigeration.
- Medium display depth 35 ⅝".
- Brushed stainless steel interior finish.
- Black or white painted front exterior metal décor pan with a 4" vertical flat panel.
- LED light strips are mounted on the top ledge of the display area and under each shelf level.
- 1-14" and 1-16" adjustable brushed stainless steel with integrated front product stop.
- Top mounted roll-down night curtain
- Single Curve front glass profile

CUSTOM FEATURES:

EXTERIOR FINISHES	
Formica laminate finish: _____	
Other laminate finish (specify): _____	
Brushed Stainless Steel	
Oak Veneer Plywood	
Birch/Maple Veneer Plywood	
- Vertical grain direction	
- Horizontal grain direction	
- Clear Finish	
- Stain Finish	
11 ½"H extended front décor panel	
18"H extended front décor panel	
1" black McCue impact bumper strip applied to the front of the display	
Other McCue impact bumper sizes and colors available	

ADDITIONAL FEATURES:

- Designed to maintain the critical temperature of the products within the display at a range of 38-41°F (3-5°C) with an ambient atmosphere of 75°F (24°C)/55% humidity. Designed for holding pre-chilled product only.
- 1-year parts and labor warranty.

END PANELS	
The same interior/exterior laminate	
Brushed stainless steel interior	
Mirrored laminate interior	
Tempered glass pane	
Mirrored tempered glass pane	
1" black McCue impact bumper strip applied to the end panel	
Other McCue impact bumper sizes and colors available	

MISCELLANEOUS	
Large display depth 43 ¼"	
Additional metal shelf with integrated LED lighting	
Aluminum or painted price tag mould attached to the front of the shelves	
Plastic price stripping attached to the front of the shelves	
4"H x 6 ½"D 3 Tier stepped riser	
4"H x 5 ¼"D 4 Tier stepped riser	
2 ½"H x 13"D Single step riser	
4"H x 9"D Single step riser	
Clip-in angled base inlay	
Top mounted clip-on dry shelves	
Clip-on sign panels	
Self-contained refrigeration with the new R-513A (non-ozone depleting, low global warming potential) refrigerant	

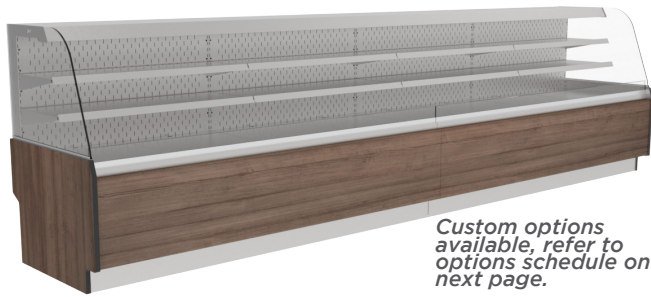
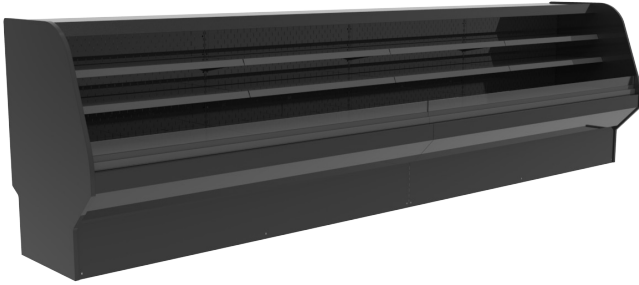
MATCHES DOUBLE CURVE FRONT GLASS SERVICE DISPLAY PROFILE

DSS - DELICATESSEN SELF-SERVICE DISPLAY

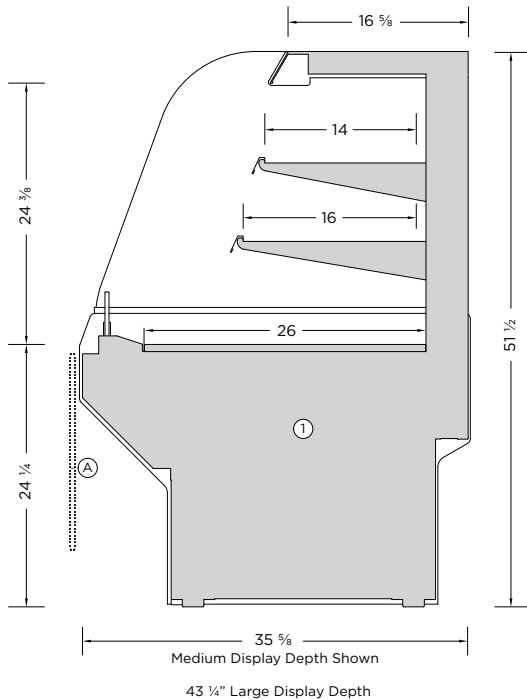
 REFRIGERATED

CREATE A DISPLAY LINE-UP OF ALMOST ANY LENGTH WITH A COMBINATION OF STANDARD DISPLAY LENGTHS

Standard features shown



Custom options available, refer to options schedule on next page.



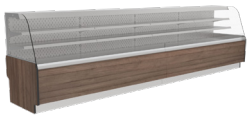
MODEL	LENGTH
DSSV-38DC-M	38 1/4"
DSSV-48DC-M	47 7/8"
DSSV-57DC-M	57 3/8"
DSSV-76DC-M	76 1/2"
DSSV-96DC-M	95 5/8"

Length does not include end panels. Add 1" per panel.

FEATURES:

- Designed to match DFS-DC display height and depth.
- Two display depths available, refer to the dimensioned illustration. ①
- Remote or self-contained refrigeration system options.
- Many exterior finish options, powdercoat paint, brushed stainless steel, laminates, and natural wood finishes.
- Brushed stainless steel interior finish.
- LED light strips are mounted on the top ledge of the display area and under each shelf level.
- The LED lighting is available in various light intensities/spectrums.
- 1-14" and 1-16" adjustable metal shelves with integrated front product stop.
- Top mounted roll-down night curtain.
- Front base décor panel options (A) provide a more customized look.
- Many display options offered. Refer to the options schedules on the next page.
- Engineered for serviceability and flexibility.
- Removeable base deck panels for easy cleaning and service.
- ETL electrical certification and NSF 7 standards.

Note: Information and specifications may change due to engineering improvements.



MATCHES DOUBLE CURVE FRONT GLASS SERVICE DISPLAY PROFILE

DSS - DELICATESSEN SELF-SERVICE DISPLAY

 REFRIGERATED

TECHNICAL SPECS (REMOTE REFRIGERATION)						
MODEL	LENGTH	VOLTS	AMPS	PLUG	BUTH	SUCTION
DSSV-38DC-M	38 ¼"	115	1.6	NEMA 5-15P	3575	20F
DSSV-48DC-M	47 ⅞"	115	1.8	NEMA 5-15P	4340	20F
DSSV-57DC-M	57 ⅜"	115	2.5	NEMA 5-15P	5055	20F
DSSV-76DC-M	76 ½"	115	2.8	NEMA 5-15P	6630	20F
DSSV-96DC-M	95 ⅝"	115	3.3	NEMA 5-15P	8160	20F

TECHNICAL SPECS FOR SELF-CONTAINED REFRIGERATION AVAILABLE UPON REQUEST

STANDARD FEATURES:

- Remote refrigeration.
- Medium display depth 35 ⅝".
- Brushed stainless steel interior finish.
- Black or white painted front exterior metal décor pan with a 4" vertical flat panel.
- LED light strips are mounted on the top ledge of the display area and under each shelf level.
- 1-14" and 1-16" adjustable brushed stainless steel with integrated front product stop.
- Top mounted roll-down night curtain
- Double curve front glass profile

CUSTOM FEATURES:

EXTERIOR FINISHES	
Formica laminate finish: _____	
Other laminate finish (specify): _____	
Brushed Stainless Steel	
Oak Veneer Plywood	
Birch/Maple Veneer Plywood	
- Vertical grain direction	
- Horizontal grain direction	
- Clear Finish	
- Stain Finish	
11 ½"H extended front décor panel	
18"H extended front décor panel	
1" black McCue impact bumper strip applied to the front of the display	
Other McCue impact bumper sizes and colors available	

ADDITIONAL FEATURES:

- Designed to maintain the critical temperature of the products within the display at a range of 38-41°F (3-5°C) with an ambient atmosphere of 75°F (24°C)/55% humidity. Designed for holding pre-chilled product only.
- 1-year parts and labor warranty.

END PANELS	
The same interior/exterior laminate	
Brushed stainless steel interior	
Mirrored laminate interior	
Tempered glass pane	
Mirrored tempered glass pane	
1" black McCue impact bumper strip applied to the end panel	
Other McCue impact bumper sizes and colors available	

MISCELLANEOUS	
Large display depth 43 ¼"	
Additional metal shelf with integrated LED lighting	
Aluminum or painted price tag mould attached to the front of the shelves	
Plastic price stripping attached to the front of the shelves	
4"H x 6 ½"D 3 Tier stepped riser	
4"H x 5 ¼"D 4 Tier stepped riser	
2 ½"H x 13"D Single step riser	
4"H x 9"D Single step riser	
Clip-in angled base inlay	
Top mounted clip-on dry shelves	
Clip-on sign panels	
Self-contained refrigeration with the new R-513A (non-ozone depleting, low global warming potential) refrigerant	

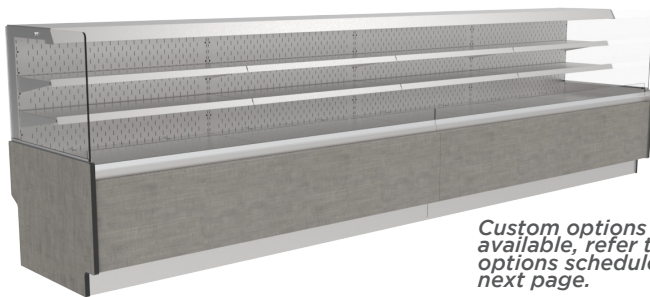
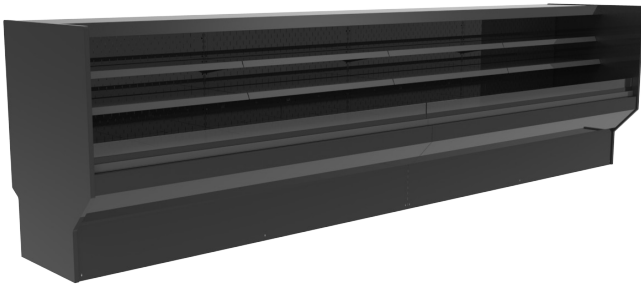
MATCHES SQUARE FRONT GLASS SERVICE DISPLAY PROFILE

DSS - DELICATESSEN SELF-SERVICE DISPLAY

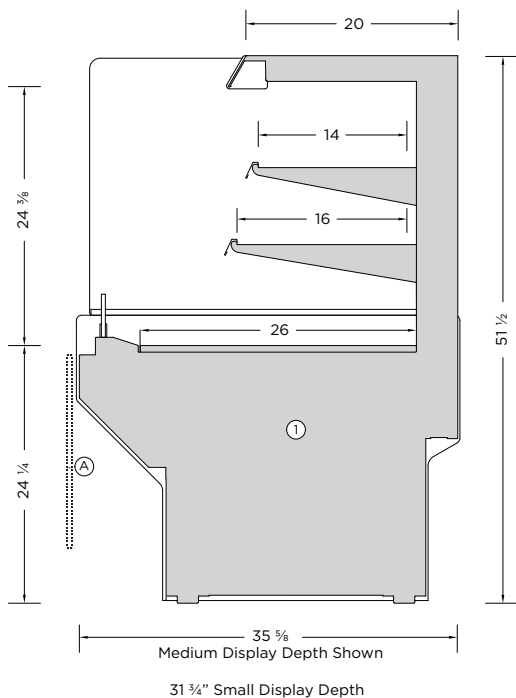
 REFRIGERATED

CREATE A DISPLAY LINE-UP OF ALMOST ANY LENGTH WITH A COMBINATION OF STANDARD DISPLAY LENGTHS

Standard features shown



Custom options available, refer to options schedule on next page.



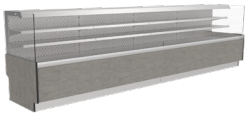
MODEL	LENGTH
DSSV-38SQ-M	38 1/4"
DSSV-48SQ-M	47 7/8"
DSSV-57SQ-M	57 3/8"
DSSV-76SQ-M	76 1/2"
DSSV-96SQ-M	95 5/8"

Length does not include end panels. Add 1" per panel.

FEATURES:

- Designed to match DFS-SQ display height and depth.
- Two display depths available, refer to the dimensioned illustration. ①
- Remote or self-contained refrigeration system options.
- Many exterior finish options, powdercoat paint, brushed stainless steel, laminates, and natural wood finishes.
- Brushed stainless steel interior finish.
- LED light strips are mounted on the top ledge of the display area and under each shelf level.
- The LED lighting is available in various light intensities/spectrums.
- 1-14" and 1-16" adjustable brushed stainless steel shelves with integrated front product stop.
- Top mounted roll-down night curtain.
- Front base décor panel options (A) provide a more customized look.
- Many display options offered. Refer to the options schedules on the next page.
- Engineered for serviceability and flexibility.
- Removeable base deck panels for easy cleaning and service.
- ETL electrical certification and NSF 7 standards.

Note: Information and specifications may change due to engineering improvements.



MATCHES SQUARE FRONT GLASS SERVICE DISPLAY PROFILE

DSS - DELICATESSEN SELF-SERVICE DISPLAY

 REFRIGERATED

TECHNICAL SPECS (REMOTE REFRIGERATION)						
MODEL	LENGTH	VOLTS	AMPS	PLUG	BUTH	SUCTION
DSSV-38SQ-M	38 ¼"	115	1.6	NEMA 5-15P	3575	20F
DSSV-48SQ-M	47 ⅞"	115	1.8	NEMA 5-15P	4340	20F
DSSV-57SQ-M	57 ⅜"	115	2.5	NEMA 5-15P	5055	20F
DSSV-76SQ-M	76 ½"	115	2.8	NEMA 5-15P	6630	20F
DSSV-96SQ-M	95 ⅝"	115	3.3	NEMA 5-15P	8160	20F

TECHNICAL SPECS FOR SELF-CONTAINED REFRIGERATION AVAILABLE UPON REQUEST

STANDARD FEATURES:

- Remote refrigeration.
- Medium display depth 35 ⅝".
- Brushed stainless steel interior finish.
- Black or white painted front exterior metal décor pan with a 4" vertical flat panel.
- LED light strips are mounted on the top ledge of the display area and under each shelf level.
- 1-14" and 1-16" adjustable brushed stainless steel with integrated front product stop.
- Top mounted roll-down night curtain
- Square front glass profile

CUSTOM FEATURES:

EXTERIOR FINISHES	
Formica laminate finish: _____	
Other laminate finish (specify): _____	
Brushed Stainless Steel	
Oak Veneer Plywood	
Birch/Maple Veneer Plywood	
- Vertical grain direction	
- Horizontal grain direction	
- Clear Finish	
- Stain Finish	
11 ½"H extended front décor panel	
18"H extended front décor panel	
1" black McCue impact bumper strip applied to the front of the display	
Other McCue impact bumper sizes and colors available	

END PANELS	
The same interior/exterior laminate	
Brushed stainless steel interior	
Mirrored laminate interior	
Tempered glass pane	
Mirrored tempered glass pane	
1" black McCue impact bumper strip applied to the end panel	
Other McCue impact bumper sizes and colors available	

MISCELLANEOUS	
Large display depth 43 ¼"	
Additional metal shelf with integrated LED lighting	
Aluminum or painted price tag mould attached to the front of the shelves	
Plastic price stripping attached to the front of the shelves	
4"H x 6 ½"D 3 Tier stepped riser	
4"H x 5 ¼"D 4 Tier stepped riser	
2 ½"H x 13"D Single step riser	
4"H x 9"D Single step riser	
Clip-in angled base inlay	
Top mounted clip-on dry shelves	
Clip-on sign panels	
Self-contained refrigeration with the new R-513A (non-ozone depleting, low global warming potential) refrigerant	

ADDITIONAL FEATURES:

- Designed to maintain the critical temperature of the products within the display at a range of 38-41°F (3-5°C) with an ambient atmosphere of 75°F (24°C)/55% humidity. Designed for holding pre-chilled product only.
- 1-year parts and labor warranty.

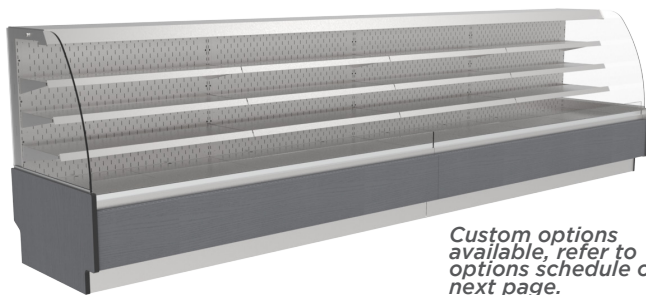
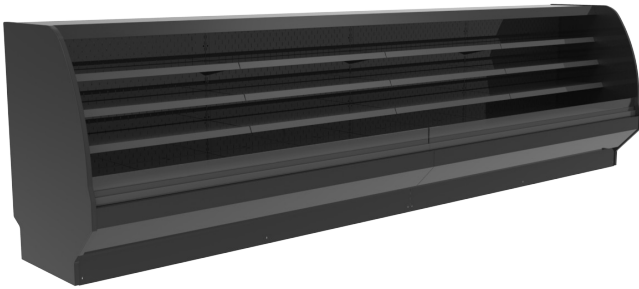
MATCHES HIGH-CAPACITY DOUBLE CURVE FRONT GLASS MEDIUM DEPTH SERVICE DISPLAY PROFILE

DSS - DELICATESSEN SELF-SERVICE DISPLAY

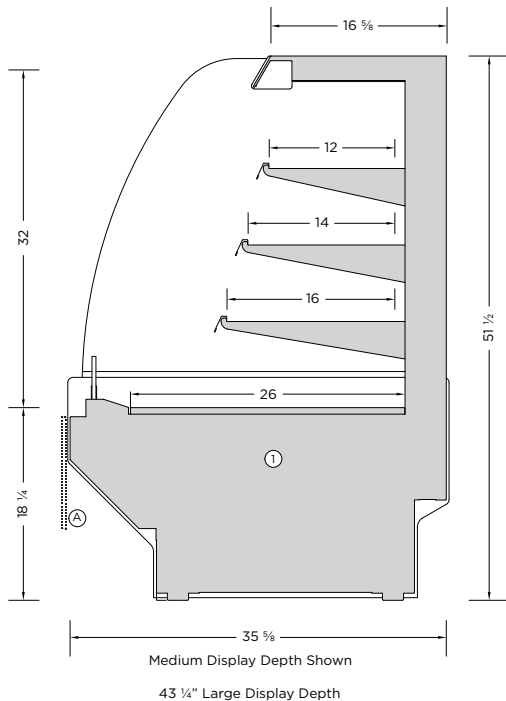
 REFRIGERATED

CREATE A DISPLAY LINE-UP OF ALMOST ANY LENGTH WITH A COMBINATION OF STANDARD DISPLAY LENGTHS

Standard features shown



Custom options available, refer to options schedule on next page.



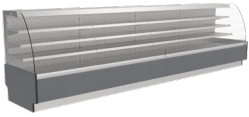
MODEL	LENGTH
DSSH-38DC-M	38 1/4"
DSSH-48DC-M	47 7/8"
DSSH-57DC-M	57 3/8"
DSSH-76DC-M	76 1/2"
DSSH-96DC-M	95 5/8"

Length does not include end panels. Add 1" per panel.

FEATURES:

- Designed to match BFSH-DC display height and depth.
- Two display depths available, refer to the dimensioned illustration. ①
- Remote refrigeration option only for this display profile
- Many exterior finish options, powdercoat paint, brushed stainless steel, laminates, and natural wood finishes.
- Three interior finish options, textured powdercoat black, white or brushed stainless steel.
- LED light strips are mounted on the top ledge of the display area and under each shelf level.
- The LED lighting is available in various light intensities/spectrums.
- 1-12", 1-14" and 1-16" adjustable metal shelves with integrated front product stop.
- Top mounted roll-down night curtain.
- Front base décor panel options Ⓐ provide a more customized look.
- Many display options offered. Refer to the options schedules on the next page.
- Engineered for serviceability and flexibility.
- Removeable base deck panels for easy cleaning and service.
- ETL electrical certification and NSF 7 standards.

Note: Information and specifications may change due to engineering improvements.



MATCHES HIGH-CAPACITY DOUBLE CURVE FRONT GLASS MEDIUM DEPTH SERVICE DISPLAY PROFILE

DSS - DELICATESSEN SELF-SERVICE DISPLAY

 REFRIGERATED

TECHNICAL SPECS (REMOTE REFRIGERATION)						
MODEL	LENGTH	VOLTS	AMPS	PLUG	BUTH	SUCTION
DSSH-38DC-M	38 ¼"	115	1.6	NEMA 5-15P	3575	20F
DSSH-48DC-M	47 ⅞"	115	1.8	NEMA 5-15P	4340	20F
DSSH-57DC-M	57 ⅜"	115	2.5	NEMA 5-15P	5055	20F
DSSH-76DC-M	76 ½"	115	2.8	NEMA 5-15P	6630	20F
DSSH-96DC-M	95 ⅝"	115	3.3	NEMA 5-15P	8160	20F

STANDARD FEATURES:

- Remote refrigeration.
- Medium display depth 35 ⅝".
- Three interior finish options, textured powdercoat black, white or brushed stainless steel.
- Black or white painted front exterior metal décor pan with a 4" vertical flat panel.
- LED light strips are mounted on the top ledge of the display area and under each shelf level.
- 1-12", 1-14" and 1-16" adjustable metal shelves with integrated front product stop.
- Top mounted roll-down night curtain.
- Double Curve glass profile.

CUSTOM FEATURES:

EXTERIOR FINISHES	
Formica laminate finish: _____	
Other laminate finish (specify): _____	
Brushed Stainless Steel	
Oak Veneer Plywood	
Birch/Maple Veneer Plywood	
- Vertical grain direction	
- Horizontal grain direction	
- Clear Finish	
- Stain Finish	
11 ½"H extended front décor panel	
1" black McCue impact bumper strip applied to the front of the display	
Other McCue impact bumper sizes and colors available	

ADDITIONAL FEATURES:

- Designed to maintain the critical temperature of the products within the display at a range of 38-41°F (3-5°C) with an ambient atmosphere of 75°F (24°C)/55% humidity. Designed for holding pre-chilled product only.
- 1-year parts and labor warranty.

END PANELS

The same interior/exterior laminate	
Brushed stainless steel interior	
Mirrored laminate interior	
Tempered glass pane	
Mirrored tempered glass pane	
1" black McCue impact bumper strip applied to the end panel	
Other McCue impact bumper sizes and colors available	

MISCELLANEOUS

Additional metal shelf with integrated LED lighting	
Aluminum or painted price tag mould attached to the front of the shelves	
Plastic price stripping attached to the front of the shelves	
4"H x 6 ½"D 3 Tier stepped riser	
4"H x 5 ¼"D 4 Tier stepped riser	
2 ½"H x 13"D Single step riser	
4"H x 9"D Single step riser	
Clip-in angled base inlay	
Top mounted clip-on dry shelves	
Clip-on sign panels	

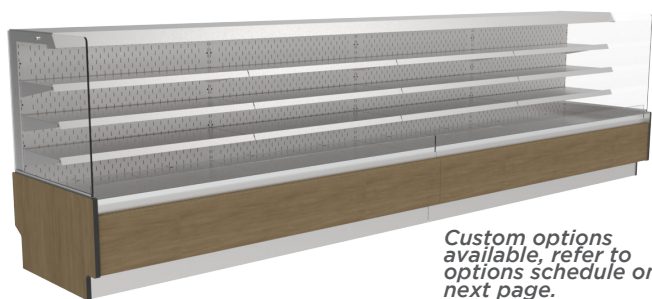
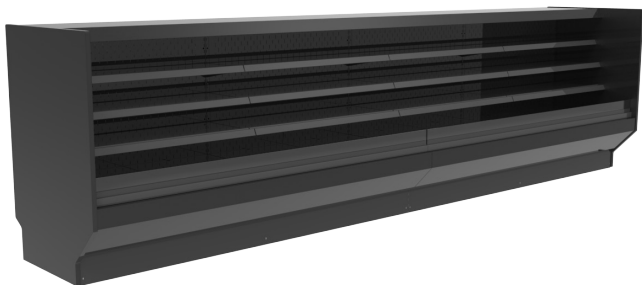
MATCHES HIGH-CAPACITY SQUARE FRONT GLASS MEDIUM DEPTH SERVICE DISPLAY PROFILE

DSS - DELICATESSEN SELF-SERVICE DISPLAY

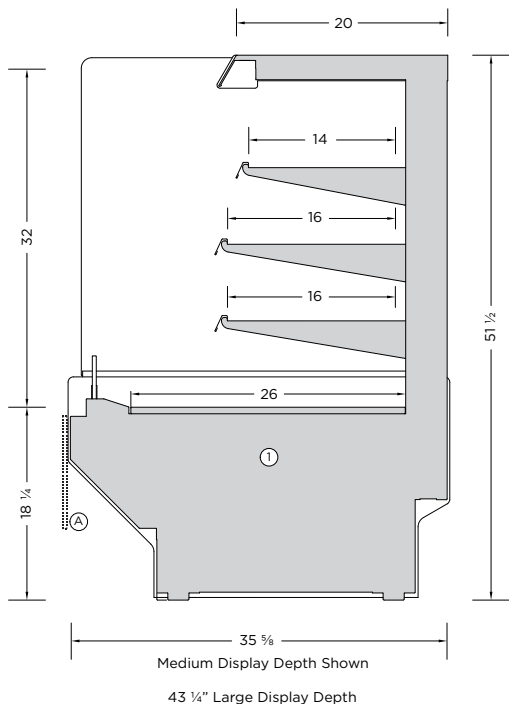
 REFRIGERATED

CREATE A DISPLAY LINE-UP OF ALMOST ANY LENGTH WITH A COMBINATION OF STANDARD DISPLAY LENGTHS

Standard features shown



Custom options available, refer to options schedule on next page.



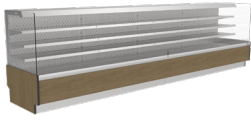
MODEL	LENGTH
DSSH-38SQ-M	38 1/4"
DSSH-48SQ-M	47 7/8"
DSSH-57SQ-M	57 3/8"
DSSH-76SQ-M	76 1/2"
DSSH-96SQ-M	95 5/8"

Length does not include end panels. Add 1" per panel.

FEATURES:

- Designed to match BFSH-SQ display height and depth.
- Two display depths available, refer to the dimensioned illustration. ①
- Remote refrigeration option only for this display profile
- Many exterior finish options, powdercoat paint, brushed stainless steel, laminates, and natural wood finishes.
- Three interior finish options, textured powdercoat black, white or brushed stainless steel.
- LED light strips are mounted on the top ledge of the display area and under each shelf level.
- The LED lighting is available in various light intensities/spectrums.
- 1-14" and 2-16" adjustable metal shelves with integrated front product stop.
- Top mounted roll-down night curtain.
- Front base décor panel options ② provide a more customized look.
- Many display options offered. Refer to the options schedules on the next page.
- Engineered for serviceability and flexibility.
- Removeable base deck panels for easy cleaning and service.
- ETL electrical certification and NSF 7 standards.

Note: Information and specifications may change due to engineering improvements.



MATCHES HIGH-CAPACITY SQUARE FRONT GLASS MEDIUM DEPTH SERVICE DISPLAY PROFILE

DSS - DELICATESSEN SELF-SERVICE DISPLAY

REFRIGERATED

TECHNICAL SPECS (REMOTE REFRIGERATION)						
MODEL	LENGTH	VOLTS	AMPS	PLUG	BUTH	SUCTION
DSSH-38SQ-M	38 ¼"	115	1.6	NEMA 5-15P	3575	20F
DSSH-48SQ-M	47 ⅞"	115	1.8	NEMA 5-15P	4340	20F
DSSH-57SQ-M	57 ⅜"	115	2.5	NEMA 5-15P	5055	20F
DSSH-76SQ-M	76 ½"	115	2.8	NEMA 5-15P	6630	20F
DSSH-96SQ-M	95 ⅝"	115	3.3	NEMA 5-15P	8160	20F

STANDARD FEATURES:

- Remote refrigeration.
- Medium display depth 35 ⅝".
- Three interior finish options, textured powdercoat black, white or brushed stainless steel.
- Black or white painted front exterior metal décor pan with a 4" vertical flat panel.
- LED light strips are mounted on the top ledge of the display area and under each shelf level.
- 1-14" and 2-16" adjustable metal shelves with integrated front product stop.
- Top mounted roll-down night curtain.
- Square glass profile.

CUSTOM FEATURES:

EXTERIOR FINISHES	
Formica laminate finish: _____	
Other laminate finish (specify): _____	
Brushed Stainless Steel	
Oak Veneer Plywood	
Birch/Maple Veneer Plywood	
- Vertical grain direction	
- Horizontal grain direction	
- Clear Finish	
- Stain Finish	
11 ½"H extended front décor panel	
1" black McCue impact bumper strip applied to the front of the display	
Other McCue impact bumper sizes and colors available	

ADDITIONAL FEATURES:

- Designed to maintain the critical temperature of the products within the display at a range of 38-41°F (3-5°C) with an ambient atmosphere of 75°F (24°C)/55% humidity. Designed for holding pre-chilled product only.
- 1-year parts and labor warranty.

END PANELS

The same interior/exterior laminate	
Brushed stainless steel interior	
Mirrored laminate interior	
Tempered glass pane	
Mirrored tempered glass pane	
1" black McCue impact bumper strip applied to the end panel	
Other McCue impact bumper sizes and colors available	

MISCELLANEOUS

Additional metal shelf with integrated LED lighting	
Aluminum or painted price tag mould attached to the front of the shelves	
Plastic price stripping attached to the front of the shelves	
4"H x 6 ½"D 3 Tier stepped riser	
4"H x 5 ¼"D 4 Tier stepped riser	
2 ½"H x 13"D Single step riser	
4"H x 9"D Single step riser	
Clip-in angled base inlay	
Top mounted clip-on dry shelves	
Clip-on sign panels	

DSD - DELICATESSEN SINGLE LEVEL SELF-SERVICE DISPLAY

24" Front Height with a 36" Rear Height



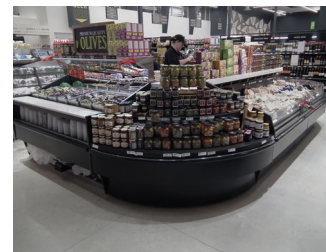
Page 36



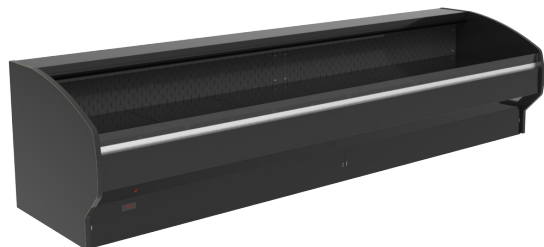
24" Front Height with a 42" or 48" Rear Height



Page 38



18" Front Height with a 30" Rear Height



Page 40



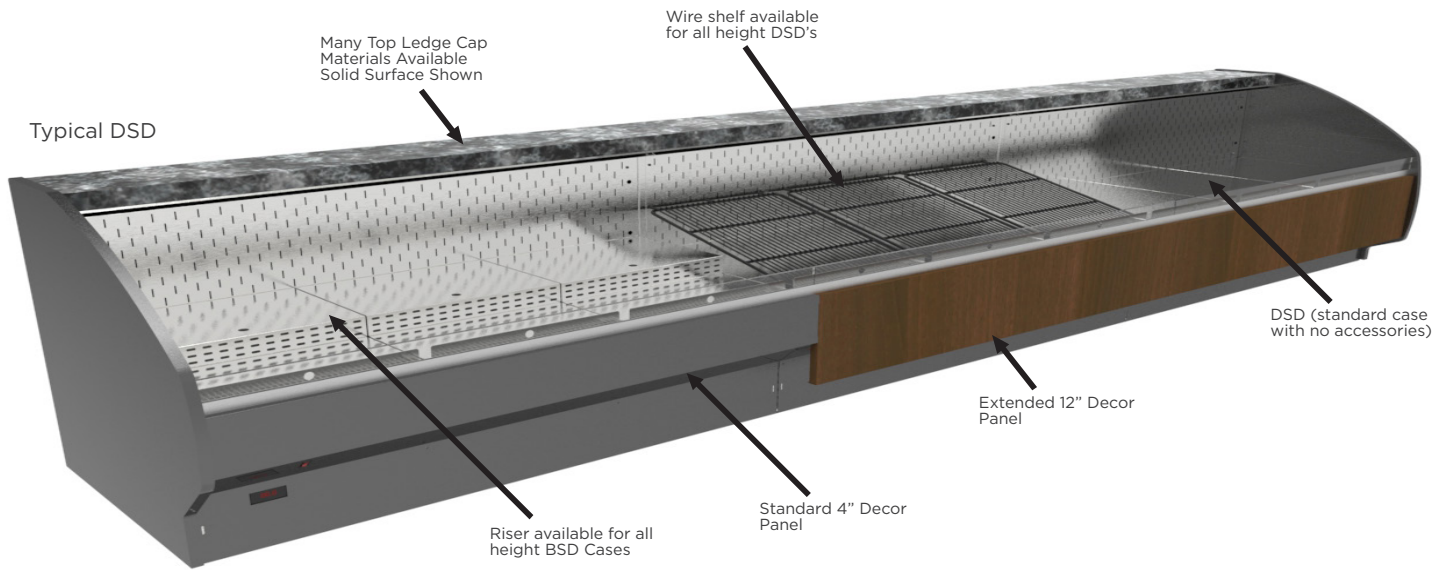
18" Front Height with a 36" or 42" Rear Height



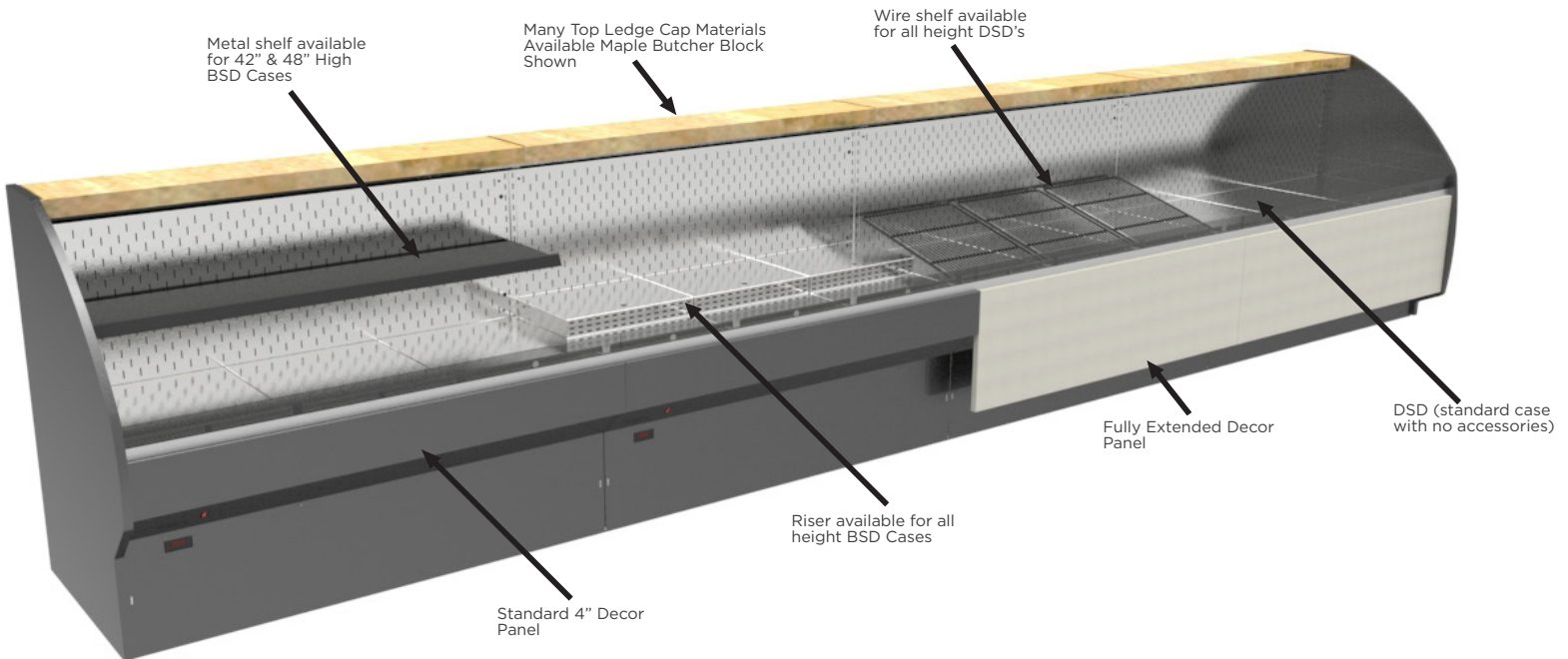
Page 42



DSD - FEATURES TO MAKE YOUR SHOWCASE WHAT YOU NEED IT TO BE



30" & 36" High DSD shown with Solid Surface ledge



42" & 48" High DSD shown with Butcher Block ledge

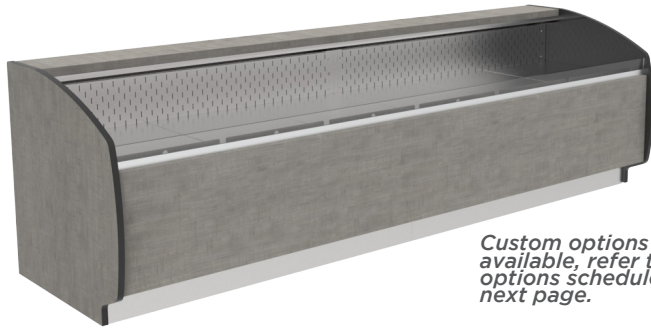
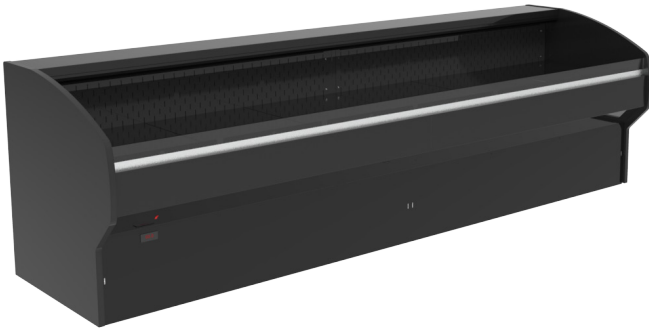
24" FRONT HEIGHT WITH A 36" REAR HEIGHT

DSD - DELICATESSEN SINGLE LEVEL SELF-SERVICE DISPLAY

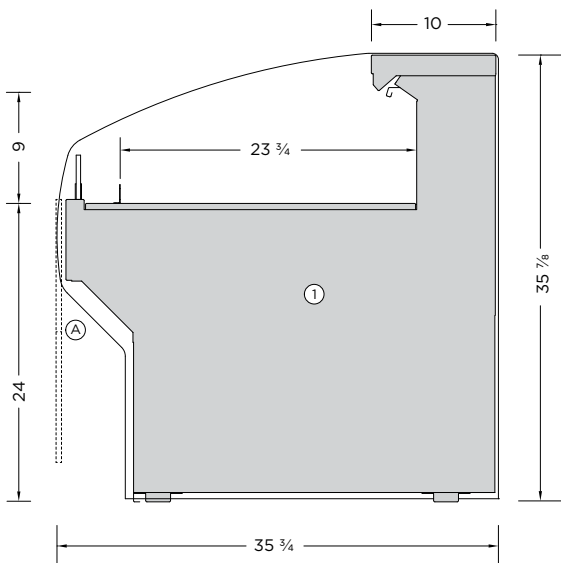
 REFRIGERATED

CREATE A DISPLAY LINE-UP OF ALMOST ANY LENGTH WITH A COMBINATION OF STANDARD DISPLAY LENGTHS

Standard features shown



Custom options available, refer to options schedule on next page.



Medium Case Depth Shown
31 3/4 Small Case Depth
43 3/4 Large Case Depth

MODEL	LENGTH
DSDN-3636-M	36 1/4"
DSDN-4836-M	48 1/4"
DSDN-6036-M	60 3/8"
DSDN-7236-M	72 1/2"
DSDN-9636-M	96 1/2"

Length does not include end panels. Add 1" per panel.

FEATURES:

- Two display depths available, refer to the dimensioned illustration. ①
- Remote or self-contained refrigeration system options.
- Many exterior finish options, powdercoat paint, brushed stainless steel, laminates, and natural wood finishes.
- Three interior finish options, textured powdercoat black, white or brushed stainless steel.
- LED light strips are mounted on the top ledge of the display.
- The LED lighting is available in various light intensities/spectrums.
- 1 1/2" front product stop integrated to the base inlays.
- Front base décor panel options (A) provide a more customized look.
- Many display options offered. Refer to the options schedules on the next page.
- Engineered for serviceability and flexibility.
- Removeable base deck panels for easy cleaning and service.
- ETL electrical certification and NSF 7 standards.

Note: Information and specifications may change due to engineering improvements.



24" FRONT HEIGHT WITH A 36" REAR HEIGHT

DSD - DELICATESSEN SINGLE LEVEL SELF-SERVICE DISPLAY

 REFRIGERATED

TECHNICAL SPECS (REMOTE REFRIGERATION)						
MODEL	LENGTH	VOLTS	AMPS	PLUG	BUTH	SUCTION
DSDN-3636-M	36 ¼"	115	0.7	NEMA 5-15P	2719	20F
DSDN-4836-M	48 ¼"	115	0.9	NEMA 5-15P	3619	20F
DSDN-6036-M	60 ¾"	115	0.9	NEMA 5-15P	4528	20F
DSDN-7236-M	72 ½"	115	0.9	NEMA 5-15P	5438	20F
DSDN-9636-M	96 ½"	115	1.1	NEMA 5-15P	7238	20F

TECHNICAL SPECS FOR SELF-CONTAINED REFRIGERATION AVAILABLE UPON REQUEST

STANDARD FEATURES:

- Remote refrigeration.
- Medium display depth 35 ⅝".
- Three interior finish options, textured powdercoat black, white or brushed stainless steel.
- Black or white painted front exterior metal décor pan with a 4" vertical flat panel.
- LED light strips are mounted on the top ledge of the display area.

CUSTOM FEATURES:

EXTERIOR FINISHES	
Formica laminate finish: _____	
Other laminate finish (specify): _____	
Brushed Stainless Steel	
Oak Veneer Plywood	
Birch/Maple Veneer Plywood	
- Vertical grain direction	
- Horizontal grain direction	
- Clear Finish	
- Stain Finish	
11 ½"H extended front décor panel	
18"H extended front décor panel	
1" black McCue impact bumper strip applied to the front of the display	
Other McCue impact bumper sizes and colors available	

ADDITIONAL FEATURES:

- Designed to maintain the critical temperature of the products within the display at a range of 38-41°F (3-5°C) with an ambient atmosphere of 75°F (24°C)/55% humidity. Designed for holding pre-chilled product only.
- 1-year parts and labor warranty.

END PANELS

The same interior/exterior laminate	
Brushed stainless steel interior	
Mirrored laminate interior	
Tempered glass pane	
Mirrored tempered glass pane	
1" black McCue impact bumper strip applied to the end panel	
Other McCue impact bumper sizes and colors available	

MISCELLANEOUS

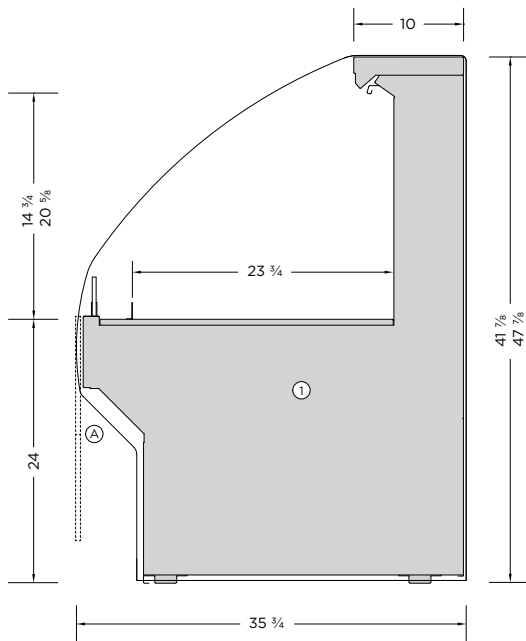
Large display depth 43 ¼"	
Top mounted roll-down thermal night curtain	
Additional metal shelf with integrated LED lighting	
Aluminum or painted price tag mould attached to the front of the shelves	
Plastic price stripping attached to the front of the shelves	
2 ½"H x 13"D Single step riser	
4"H x 9"D Single step riser	
Clip-in angled base inlay	
Top mounted clip-on dry shelves	
Clip-on sign panels	
Self-contained refrigeration with the new R-513A (non-ozone depleting, low global warming potential) refrigerant	

24" FRONT HEIGHT WITH A 42" & 48" REAR HEIGHT

DSD - DELICATESSEN SINGLE LEVEL SELF-SERVICE DISPLAY

 REFRIGERATED

CREATE A DISPLAY LINE-UP OF ALMOST ANY LENGTH WITH A COMBINATION OF STANDARD DISPLAY LENGTHS



Medium Case Depth Shown
31 3/4 Small Case Depth
43 3/4 Large Case Depth

MODEL	LENGTH
DSDN-3642-M	36 1/4"
DSDN-4842-M	48 1/4"
DSDN-6042-M	60 3/8"
DSDN-7242-M	72 1/2"
DSDN-9642-M	96 1/2"
DSDN-3648-M	36 1/4"
DSDN-4848-M	48 1/4"
DSDN-6048-M	60 3/8"
DSDN-7248-M	72 1/2"
DSDN-9248-M	96 1/2"

Length does not include end panels. Add 1" per panel.

FEATURES:

- Two display depths available, refer to the dimensioned illustration. ①
- Remote or self-contained refrigeration system options.
- Many exterior finish options, powdercoat paint, brushed stainless steel, laminates, and natural wood finishes.
- Three interior finish options, textured powdercoat black, white or brushed stainless steel.
- LED light strips are mounted on the top ledge of the display.
- The LED lighting is available in various light intensities/spectrums.
- 1 1/2" front product stop integrated to the base inlays.
- Front base décor panel options (A) provide a more customized look.
- Many display options offered. Refer to the options schedules on the next page.
- Engineered for serviceability and flexibility.
- Removeable base deck panels for easy cleaning and service.
- ETL electrical certification and NSF 7 standards.

Note: Information and specifications may change due to engineering improvements.



24" FRONT HEIGHT WITH A 42" & 48" REAR HEIGHT

DSD - DELICATESSEN SINGLE LEVEL SELF-SERVICE DISPLAY

REFRIGERATED

TECHNICAL SPECS (REMOTE REFRIGERATION)						
MODEL	LENGTH	VOLTS	AMPS	PLUG	BUTH	SUCTION
DSDN-3642-M	36 ¼"	115	1.2	NEMA 5-15P	2794	20F
DSDN-3648-M					2870	
DSDN-4842-M	48 ¼"	115	1.4	NEMA 5-15P	3719	20F
DSDN-4848-M					3820	
DSDN-6042-M	60 ¾"	115	1.4	NEMA 5-15P	4654	20F
DSDN-6048-M					4780	
DSDN-7242-M	72 ½"	115	1.4	NEMA 5-15P	5589	20F
DSDN-7248-M					5740	
DSDN-9642-M	96 ½"	115	1.6	NEMA 5-15P	7439	20F
DSDN-9248-M					7640	

TECHNICAL SPECS FOR SELF-CONTAINED REFRIGERATION AVAILABLE UPON REQUEST

STANDARD FEATURES:

- Remote refrigeration.
- Medium display depth 35 ⅝".
- Three interior finish options, textured powdercoat black, white or brushed stainless steel.
- Black or white painted front exterior metal décor pan with a 4" vertical flat panel.
- LED light strips are mounted on the top ledge of the display area.

CUSTOM FEATURES:

EXTERIOR FINISHES	
Formica laminate finish: _____	
Other laminate finish (specify): _____	
Brushed Stainless Steel	
Oak Veneer Plywood	
Birch/Maple Veneer Plywood	
- Vertical grain direction	
- Horizontal grain direction	
- Clear Finish	
- Stain Finish	
11 ½"H extended front décor panel	
18"H extended front décor panel	
1" black McCue impact bumper strip applied to the front of the display	
Other McCue impact bumper sizes and colors available	

ADDITIONAL FEATURES:

- Designed to maintain the critical temperature of the products within the display at a range of 38-41°F (3-5°C) with an ambient atmosphere of 75°F (24°C)/55% humidity. Designed for holding pre-chilled product only.
- 1-year parts and labor warranty.

END PANELS	
The same interior/exterior laminate	
Brushed stainless steel interior	
Mirrored laminate interior	
Tempered glass pane	
Mirrored tempered glass pane	
1" black McCue impact bumper strip applied to the end panel	
Other McCue impact bumper sizes and colors available	

MISCELLANEOUS	
Large display depth 43 ¼"	
Top mounted roll-down thermal night curtain	
Additional metal shelf with integrated LED lighting	
Aluminum or painted price tag mould attached to the front of the shelves	
Plastic price stripping attached to the front of the shelves	
2 ½"H x 13"D Single step riser	
4"H x 9"D Single step riser	
Clip-in angled base inlay	
Top mounted clip-on dry shelves	
Clip-on sign panels	
Self-contained refrigeration with the new R-513A (non-ozone depleting, low global warming potential) refrigerant	

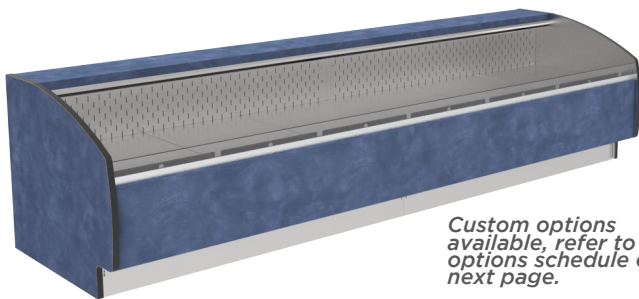
18" FRONT HEIGHT WITH A 30" REAR HEIGHT

DSD - DELICATESSEN SINGLE LEVEL SELF-SERVICE DISPLAY

 REFRIGERATED

CREATE A DISPLAY LINE-UP OF ALMOST ANY LENGTH WITH A COMBINATION OF STANDARD DISPLAY LENGTHS

Standard features shown



Custom options available, refer to options schedule on next page.

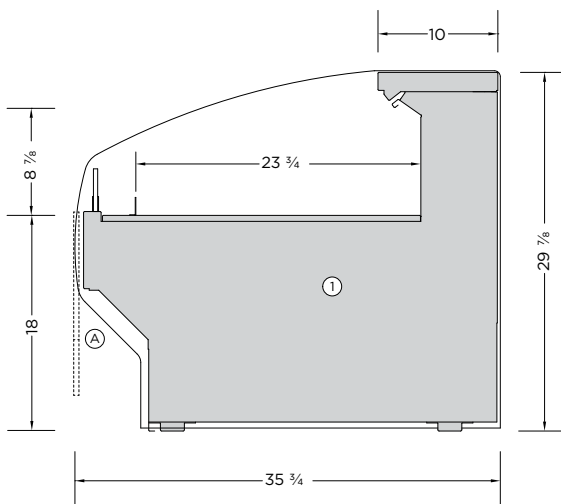
MODEL	LENGTH
DSDL-3630-M	36 1/4"
DSDL-4830-M	48 1/4"
DSDL-6030-M	60 3/8"
DSDL-7230-M	72 1/2"
DSDL-9630-M	96 1/2"

Length does not include end panels. Add 1" per panel.

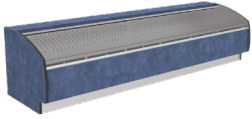
FEATURES:

- Remote refrigeration option only for this display profile.
- Two display depths available, refer to the dimensioned illustration. ①
- Many exterior finish options, powdercoat paint, brushed stainless steel, laminates, and natural wood finishes.
- Three interior finish options, textured powdercoat black, white or brushed stainless steel.
- LED light strips are mounted on the top ledge of the display.
- The LED lighting is available in various light intensities/spectrums.
- 1 1/2" front product stop integrated to the base inlays.
- Front base décor panel options (A) provide a more customized look.
- Many display options offered. Refer to the options schedules on the next page.
- Engineered for serviceability and flexibility.
- Removeable base deck panels for easy cleaning and service.
- ETL electrical certification and NSF 7 standards.

Note: Information and specifications may change due to engineering improvements.



Medium Case Depth Shown
 31 3/4" Small Case Depth
 43 3/4" Large Case Depth



18" FRONT HEIGHT WITH A 30" REAR HEIGHT

DSD - DELICATESSEN SINGLE LEVEL SELF-SERVICE DISPLAY

REFRIGERATED

TECHNICAL SPECS (REMOTE REFRIGERATION)						
MODEL	LENGTH	VOLTS	AMPS	PLUG	BUTH	SUCTION
DSDL-3630-M	36 ¼"	115	0.7	NEMA 5-15P	2719	20F
DSDL-4830-M	48 ¼"	115	0.9	NEMA 5-15P	3619	20F
DSDL-6030-M	60 ¾"	115	0.9	NEMA 5-15P	4528	20F
DSDL-7230-M	72 ½"	115	0.9	NEMA 5-15P	5438	20F
DSDL-9630-M	96 ½"	115	1.1	NEMA 5-15P	7238	20F

STANDARD FEATURES:

- Remote refrigeration.
- Medium display depth 35 ⅝".
- Three interior finish options, textured powdercoat black, white or brushed stainless steel.
- Black or white painted front exterior metal décor pan with a 4" vertical flat panel.
- LED light strips are mounted on the top ledge of the display area.

CUSTOM FEATURES:

EXTERIOR FINISHES	
Formica laminate finish: _____	
Other laminate finish (specify): _____	
Brushed Stainless Steel	
Oak Veneer Plywood	
Birch/Maple Veneer Plywood	
- Vertical grain direction	
- Horizontal grain direction	
- Clear Finish	
- Stain Finish	
11 ½"H extended front décor panel	
18"H extended front décor panel	
1" black McCue impact bumper strip applied to the front of the display	
Other McCue impact bumper sizes and colors available	

END PANELS	
The same interior/exterior laminate	
Brushed stainless steel interior	
Mirrored laminate interior	
Tempered glass pane	
Mirrored tempered glass pane	
1" black McCue impact bumper strip applied to the end panel	
Other McCue impact bumper sizes and colors available	

MISCELLANEOUS	
Large display depth 43 ¼"	
Top mounted roll-down thermal night curtain	
2 ½"H x 13"D Single step riser	
4"H x 9"D Single step riser	
Clip-in angled base inlay	
Top mounted clip-on dry shelves	
Clip-on sign panels	

ADDITIONAL FEATURES:

- Designed to maintain the critical temperature of the products within the display at a range of 38-41°F (3-5°C) with an ambient atmosphere of 75°F (24°C)/55% humidity. Designed for holding pre-chilled product only.
- 1-year parts and labor warranty.

18" FRONT HEIGHT WITH A 36" & 42" REAR HEIGHT

DSD - DELICATESSEN SINGLE LEVEL SELF-SERVICE DISPLAY

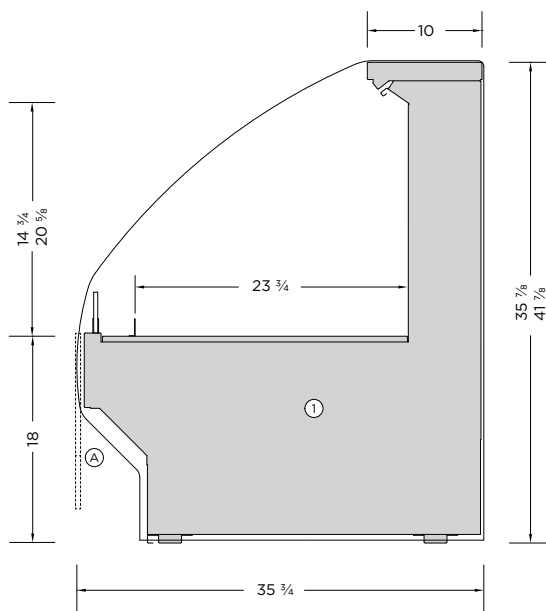
 REFRIGERATED

CREATE A DISPLAY LINE-UP OF ALMOST ANY LENGTH WITH A COMBINATION OF STANDARD DISPLAY LENGTHS

Standard features shown



Custom options available, refer to options schedule on next page.



Medium Case Depth Shown
31 3/4 Small Case Depth
43 3/4 Large Case Depth

MODEL	LENGTH
DSDL-3636-M	36 1/4"
DSDL-4836-M	48 1/4"
DSDL-6036-M	60 3/8"
DSDL-7236-M	72 1/2"
DSDL-9636-M	96 1/2"
DSDL-3642-M	36 1/4"
DSDL-4842-M	48 1/4"
DSDL-6042-M	60 3/8"
DSDL-7242-M	72 1/2"
DSDL-9242-M	96 1/2"

Length does not include end panels. Add 1" per panel.

FEATURES:

- Remote refrigeration option only for this display profile.
- Two display depths available, refer to the dimensioned illustration. ①
- Many exterior finish options, powdercoat paint, brushed stainless steel, laminates, and natural wood finishes.
- Three interior finish options, textured powdercoat black, white or brushed stainless steel.
- LED light strips are mounted on the top ledge of the display.
- The LED lighting is available in various light intensities/spectrums.
- 1 1/2" front product stop integrated to the base inlays.
- Front base décor panel options (A) provide a more customized look.
- Many display options offered. Refer to the options schedules on the next page.
- Engineered for serviceability and flexibility.
- Removeable base deck panels for easy cleaning and service.
- ETL electrical certification and NSF 7 standards.

Note: Information and specifications may change due to engineering improvements.



18" FRONT HEIGHT WITH A 36" & 42" REAR HEIGHT

DSD - DELICATESSEN SINGLE LEVEL SELF-SERVICE DISPLAY

REFRIGERATED

TECHNICAL SPECS (REMOTE REFRIGERATION)						
MODEL	LENGTH	VOLTS	AMPS	PLUG	BUTH	SUCTION
DSDL-3636-M	36 ¼"	115	1.2	NEMA 5-15P	2794	20F
DSDL-3642-M					2870	
DSDL-4836-M	48 ¼"	115	1.4	NEMA 5-15P	3719	20F
DSDL-4842-M					3820	
DSDL-6036-M	60 ¾"	115	1.4	NEMA 5-15P	4654	20F
DSDL-6042-M					4780	
DSDL-7236-M	72 ½"	115	1.4	NEMA 5-15P	5589	20F
DSDL-7242-M					5740	
DSDL-9636-M	96 ½"	115	1.6	NEMA 5-15P	7439	20F
DSDL-9242-M					7640	

STANDARD FEATURES:

- Remote refrigeration.
- Medium display depth 35 ⅝".
- Brushed stainless steel interior finish.
- Black or white painted front exterior metal décor pan with a 4" vertical flat panel.
- LED light strips are mounted on the top ledge of the display area.

CUSTOM FEATURES:

EXTERIOR FINISHES	
Formica laminate finish: _____	
Other laminate finish (specify): _____	
Brushed Stainless Steel	
Oak Veneer Plywood	
Birch/Maple Veneer Plywood	
- Vertical grain direction	
- Horizontal grain direction	
- Clear Finish	
- Stain Finish	
11 ½"H extended front décor panel	
1" black McCue impact bumper strip applied to the front of the display	
Other McCue impact bumper sizes and colors available	

ADDITIONAL FEATURES:

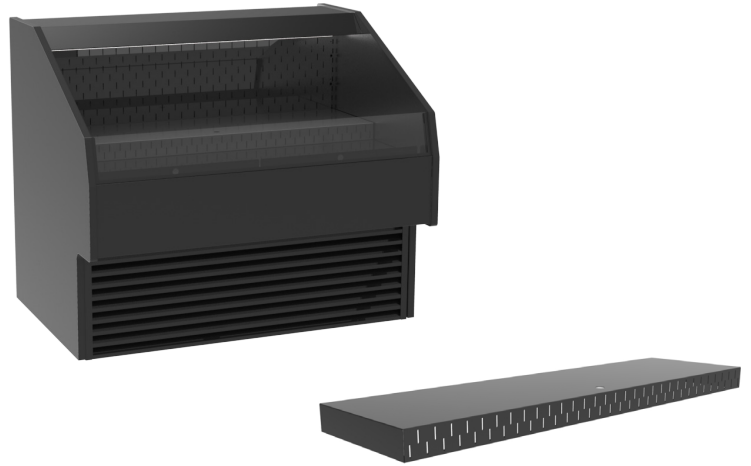
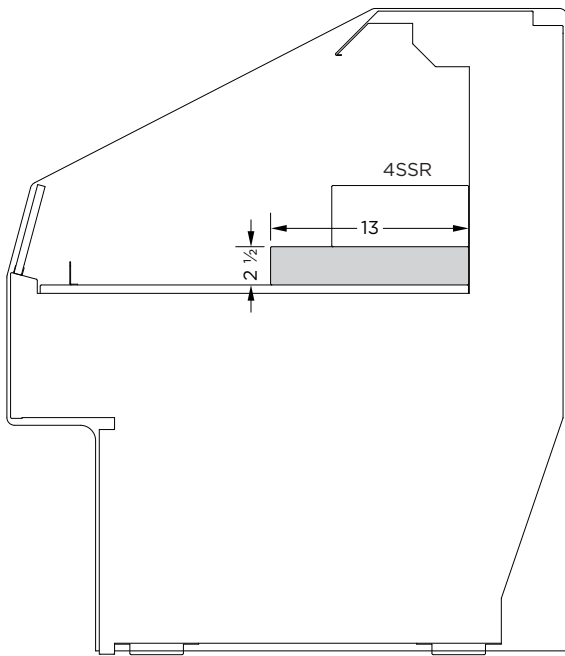
- Designed to maintain the critical temperature of the products within the display at a range of 38-41°F (3-5°C) with an ambient atmosphere of 75°F (24°C)/55% humidity. Designed for holding pre-chilled product only.
- 1-year parts and labor warranty.

END PANELS	
The same interior/exterior laminate	
Brushed stainless steel interior	
Mirrored laminate interior	
Tempered glass pane	
Mirrored tempered glass pane	
1" black McCue impact bumper strip applied to the end panel	
Other McCue impact bumper sizes and colors available	

MISCELLANEOUS	
Large display depth 43 ¼"	
Top mounted roll-down thermal night curtain	
Additional metal shelf with integrated LED lighting	
Aluminum or painted price tag mould attached to the front of the shelves	
Plastic price stripping attached to the front of the shelves	
2 ½"H x 13"D Single step riser	
4"H x 9"D Single step riser	
Clip-in angled base inlay	
Top mounted clip-on dry shelves	
Clip-on sign panels	

REFRIGERATED DISPLAY ACCESSORIES

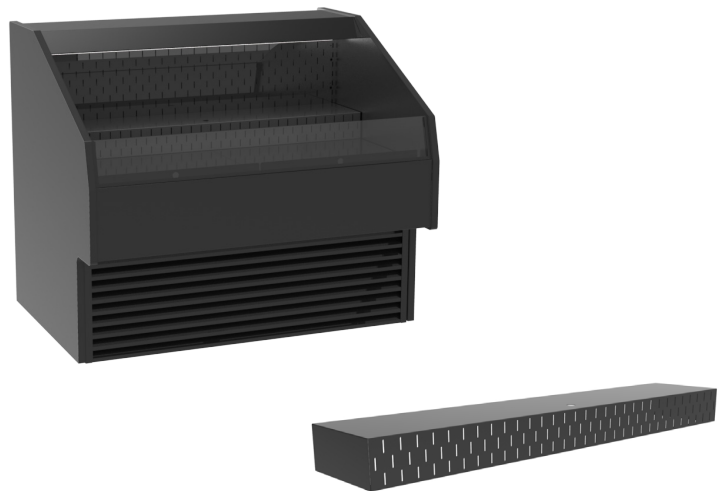
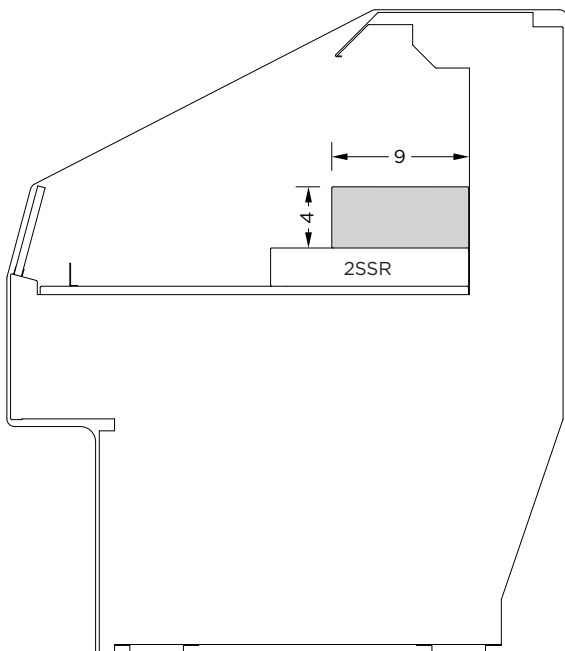
2 1/2" X 13" SINGLE STEP RISER



DISPLAY WIDTH	PART #	QTY
24"	2SSR-24-P*, S*	1
38"	2SSR-38-P, S	1
48"	2SSR-48-P, S	1
57"	2SSR-57-P, S	1
76"	2SSR-38-P, S	2
96"	2SSR-48-P, S	2

P = Painted powdercoat finish
S = Brushed stainless steel

4" X 9" SINGLE STEP RISER

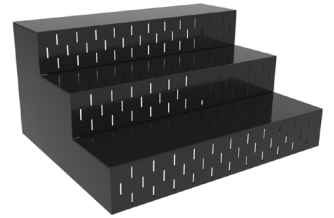
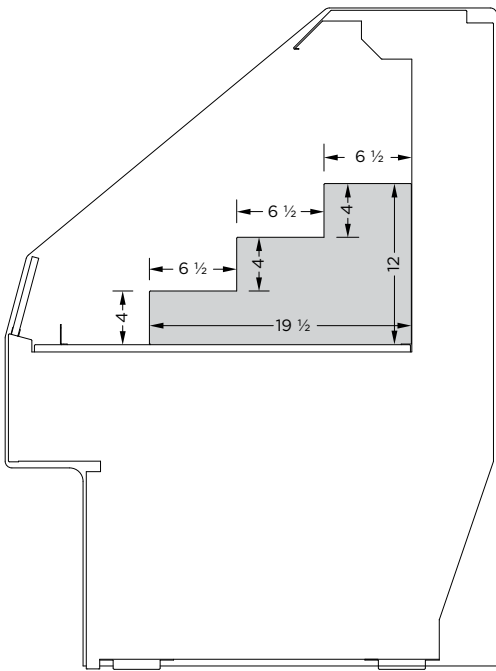


DISPLAY WIDTH	PART #	QTY
24"	4SSR-24-P*, S*	1
38"	4SSR-38-P, S	1
48"	4SSR-48-P, S	1
57"	4SSR-57-P, S	1
76"	4SSR-38-P, S	2
96"	4SSR-48-P, S	2

P = Painted powdercoat finish
S = Brushed stainless steel

REFRIGERATED DISPLAY ACCESSORIES

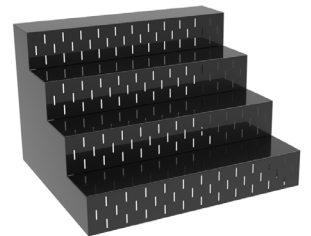
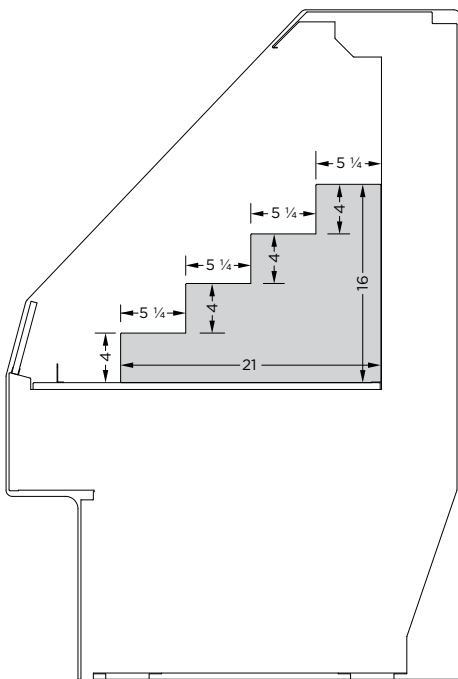
THREE TIER STEPPED RISER



DISPLAY WIDTH	PART #	QTY
24"	3TSR-24-P*, S*	1
38"	3TSR-19-P, S	2
48"	3TSR-24-P, S	2
57"	3TSR-19-P, S	3
76"	3TSR-19-P, S	4
96"	3TSR-24-P, S	4

P = Painted powdercoat finish
S = Brushed stainless steel

FOUR TIER STEPPED RISER

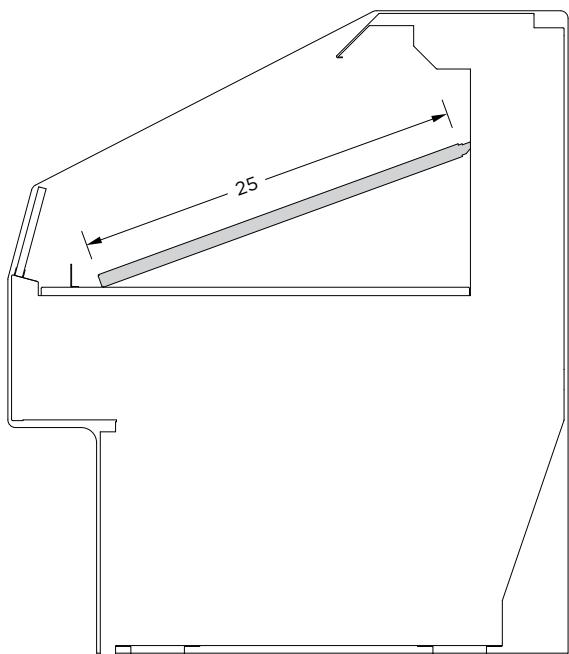


DISPLAY WIDTH	PART #	QTY
24"	4TSR-24-P*, S*	1
38"	4TSR-19-P, S	2
48"	4TSR-24-P, S	2
57"	4TSR-19-P, S	3
76"	4TSR-19-P, S	4
96"	4TSR-24-P, S	4

P = Painted powdercoat finish
S = Brushed stainless steel

REFRIGERATED DISPLAY ACCESSORIES

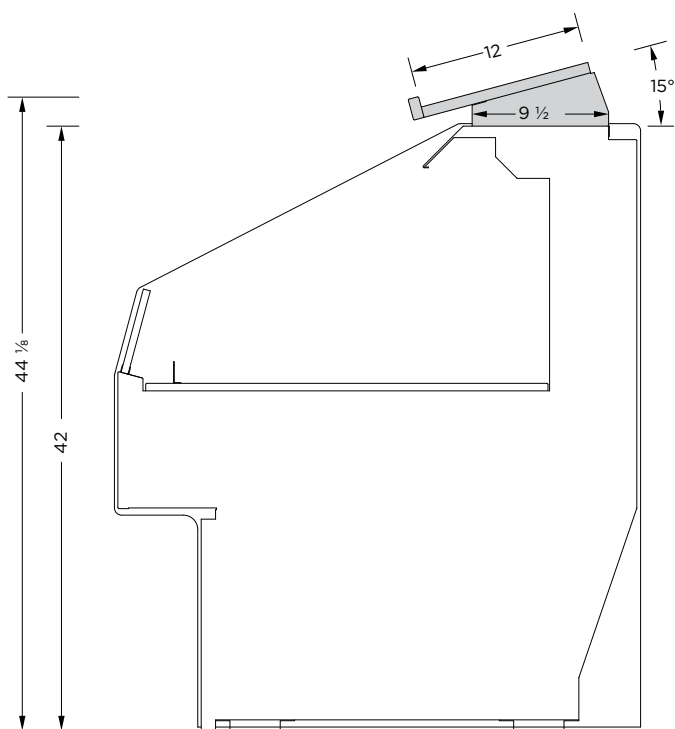
CLIP-IN ANGLED BASE INLAY



DISPLAY WIDTH	PART #	QTY
24"	ABI-24-P*, S*	1
38"	ABI-38-P, S	1
48"	ABI-48-P, S	1
57"	ABI-57-P, S	1
76"	ABI-38-P, S	2
96"	ABI-48-P, S	2

P = Painted powdercoat finish
S = Brushed stainless steel

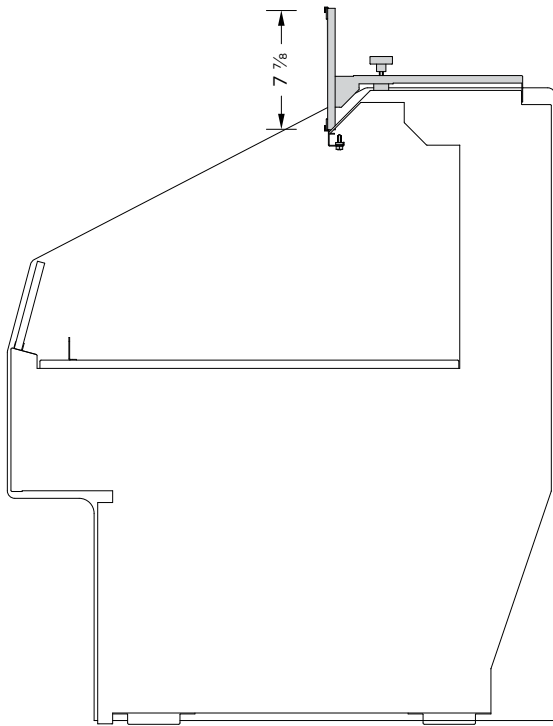
TOP MOUNTED CLIP-ON DRY SHELF



DISPLAY WIDTH	PART #
24"	CDS-24
38"	CDS-38
48"	CDS-48

REFRIGERATED DISPLAY ACCESSORIES

CLIP-ON SIGN PANEL



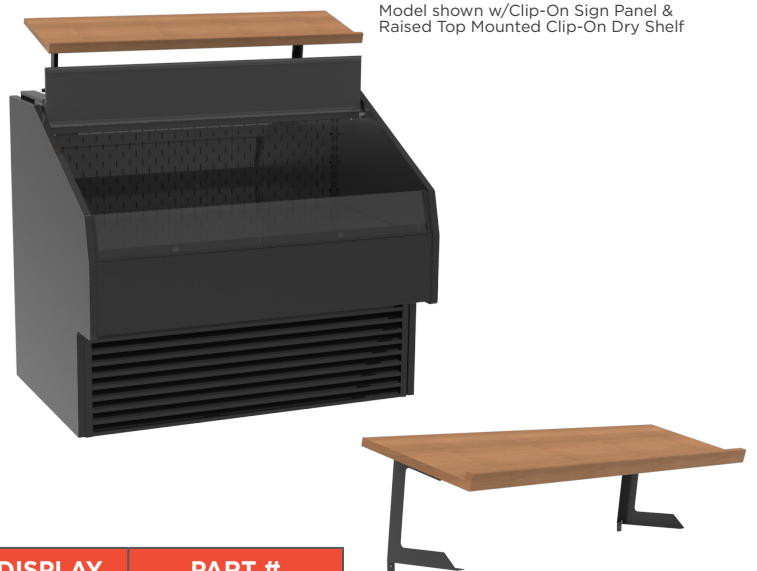
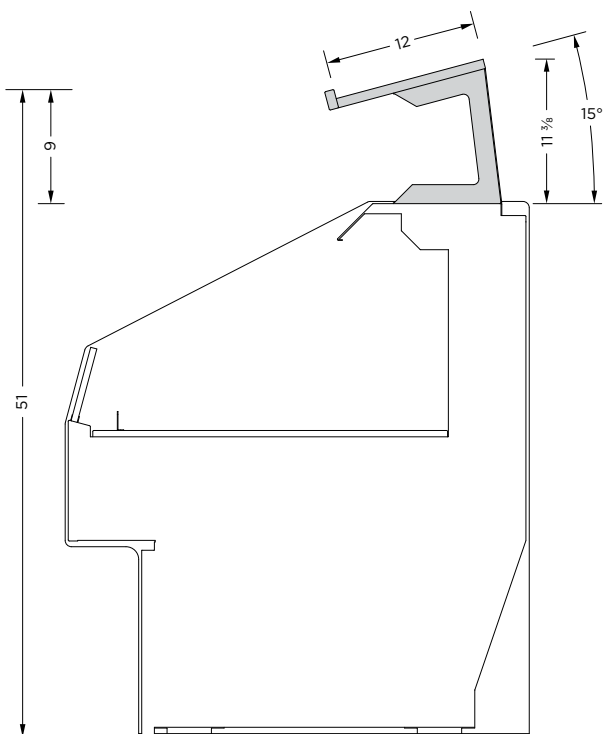
DISPLAY WIDTH	PART #
24"	CSP-24-P*, S*
38"	CSP-38-P, S
48"	CSP-48-P, S

P = Painted powdercoat finish
S = Brushed stainless steel

FEATURES:

- Plastic channels top & bottom to hold paper signs
- 3-track sign available

RAISED TOP MOUNTED CLIP-ON DRY SHELF



Model shown w/Clip-On Sign Panel & Raised Top Mounted Clip-On Dry Shelf

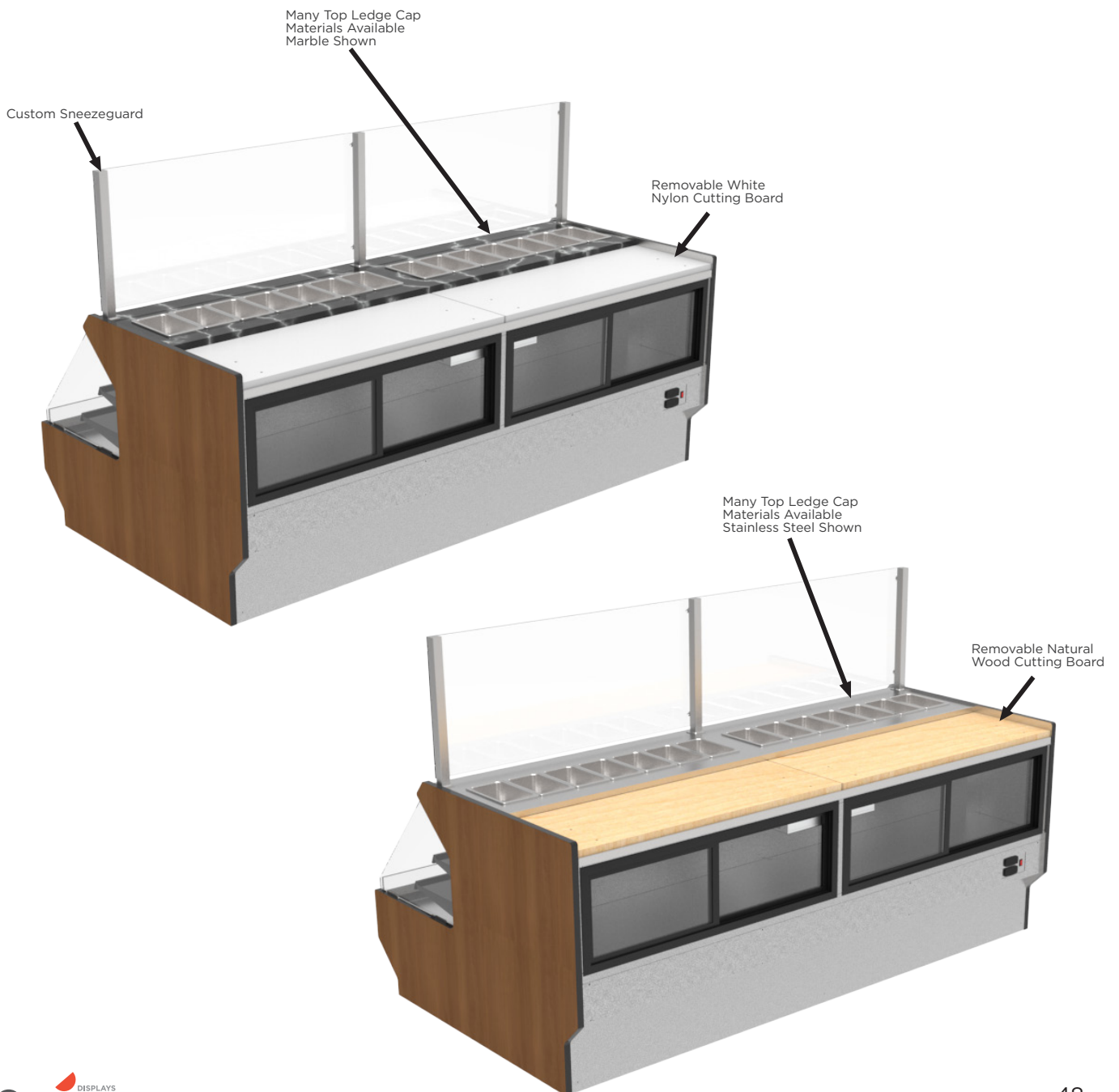
DISPLAY WIDTH	PART #
24"	RCDS-24
38"	RCDS-38
48"	RCDS-48

DOUW - DELICATESSEN SELF-SERVICE DISPLAY & REAR PREPARATION STATION



Rear Cake Decorating Station with Dry Base Storage

Page 50

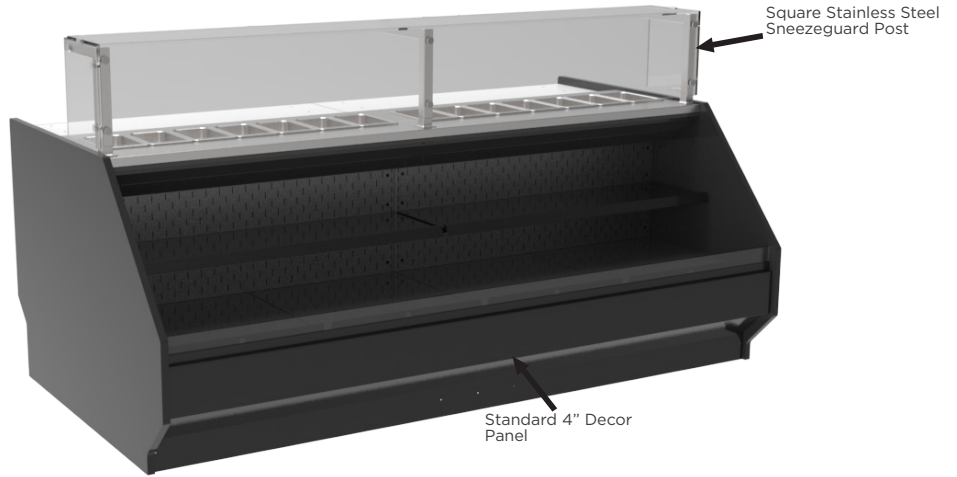


DOUW - DELICATESSEN SELF-SERVICE DISPLAY & REAR PREPARATION STATION

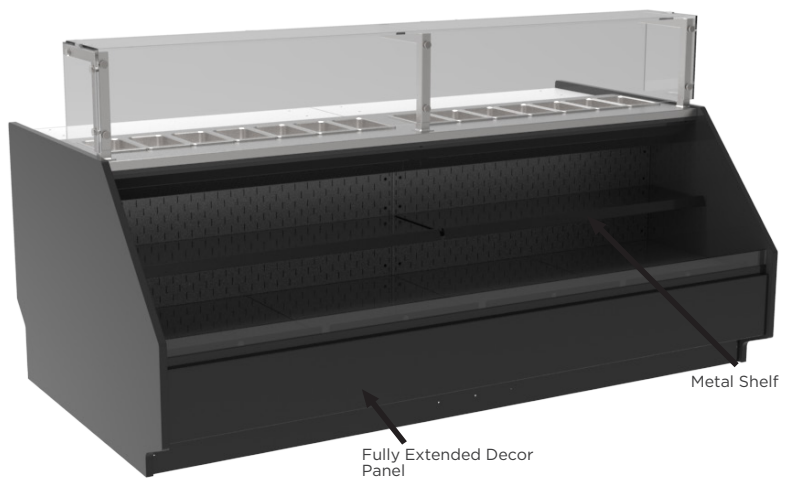
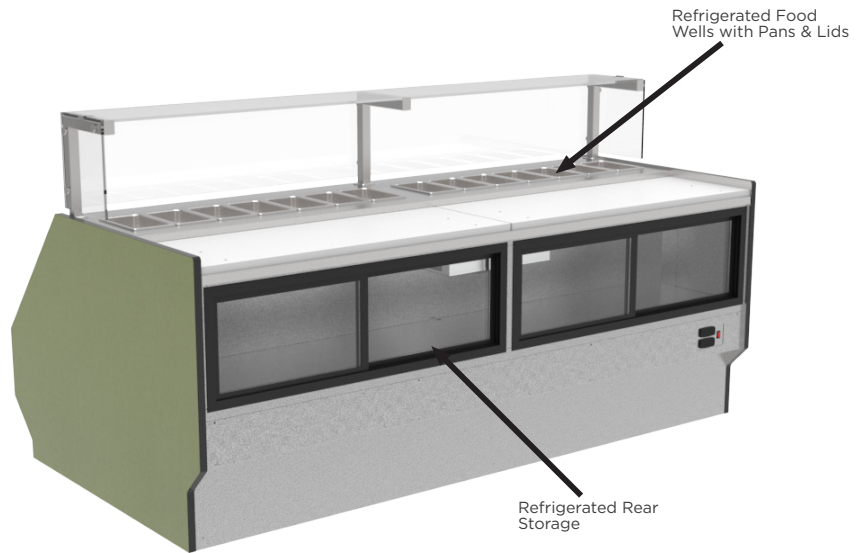
Typical DOUW



Standard Square Stainless Steel Sneezeguard Post



Custom Square Stainless Steel Sneezeguard Post



FRONT SELF-SERVICE DISPLAY, REAR FOOD PREPARATION STATION & REFRIGERATED BASE STORAGE CABINET

DOUW - DELICATESSEN COMBINATION DISPLAY

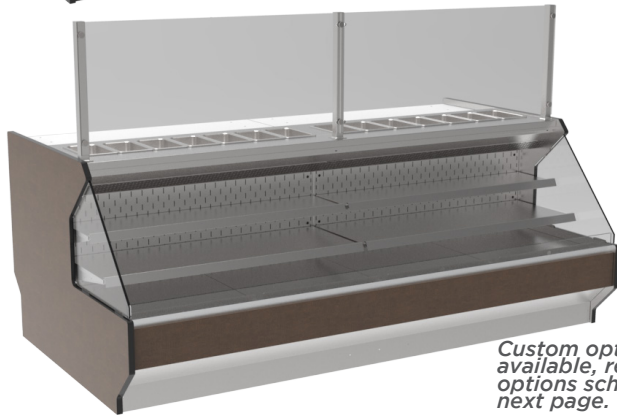
 REFRIGERATED

CREATE A DISPLAY LINE-UP OF ALMOST ANY LENGTH WITH A COMBINATION OF STANDARD DISPLAY LENGTHS

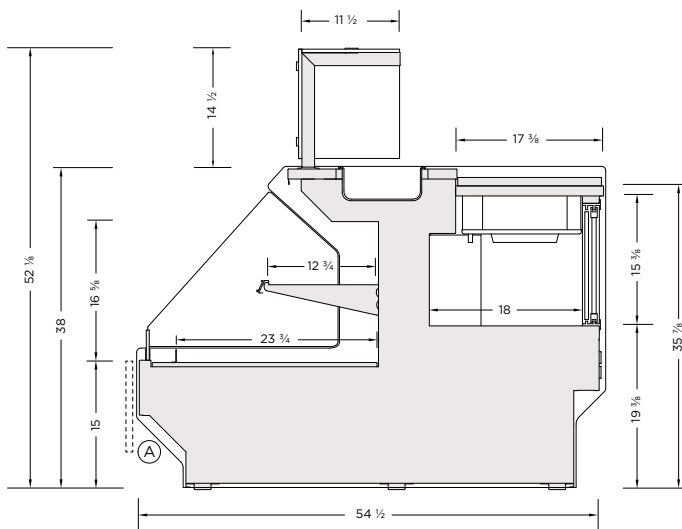
Standard features shown



* FOOD PANS NOT INCLUDED



Custom options available, refer to options schedule on next page.



MODEL	LENGTH
DOUW-4838-MR	48 1/4"
DOUW-6038-MR	60 3/8"
DOUW-7238-MR	72 1/2"
DOUW-9638-MR	96 1/2"

Length does not include end panels. Add 1" per panel.

FEATURES:

- Brushed stainless steel internal cabinet construction.
- Many exterior finish options available; powder coat paint, brushed stainless steel, decorative laminates and natural wood finishes.
- Three interior finish options: textured powder coat black, white and brushed stainless steel.
- The front décor panel can be extended to provide a more finished cabinet look. (A)
- Other custom options are offered. Refer to the options schedule on the next page.
- The refrigerated front self-service display has a LED light strip mounted to the top ledge of the display area, and one 12"D adjustable metal shelf with a front product stop and LED light strip mounted to the bottom of the shelf.
- The refrigerated rear storage cabinet is constructed of brushed stainless steel and has rear thermal sliding doors.
- The top preparation area has an integrated front refrigerated well to hold a series of food pans. The prep counter is brushed stainless steel and has a removeable white nylon cutting board.
- The top preparation area is protected by a front mounted tempered glass sneeze guard, top shelf and end panels.
- Designed to maintain the critical temperature of the products within the display, the storage cabinet and the top refrigerated well at a range of 38-41°F (3-5°C) with an ambient atmosphere of 75°F (24°C)/55% humidity.
- The refrigeration system is adjusted by two temperature controllers, one to control the front and top of the display and the other to control the rear storage cabinet.
- ETL electrical certification and NSF-7 standards.
- Self-contained refrigeration available. Contact Cayuga Displays for details.

Note: Information and specifications may change due to engineering improvements.

ADDITIONAL FEATURES:

- Designed to maintain the critical temperature of the products within the display at a range of 38-41°F (3-5°C) with an ambient atmosphere of 75°F (24°C)/55% humidity. Designed for holding pre chilled product only.
- ETL listed and sanitation certified to NSF 7.
- 1-year parts and labor warranty



FRONT SELF-SERVICE DISPLAY, REAR FOOD PREPARATION STATION & REFRIGERATED BASE STORAGE CABINET

DOUW - DELICATESSEN COMBINATION DISPLAY

REFRIGERATED

TECHNICAL SPECS (REMOTE REFRIGERATION)						
MODEL	LENGTH	VOLTS	AMPS	PLUG	BUTH	SUCTION
DOUW-4838-MR	48 ¼"	115	1.4	NEMA 5-15P	3970	20F
DOUW-6038-MR	60 ⅜"	115	1.6	NEMA 5-15P	4760	20F
DOUW-7238-MR	72 ½"	115	2.1	NEMA 5-15P	6350	20F
DOUW-9638-MR	96 ½"	115	2.3	NEMA 5-15P	7935	20F

TECHNICAL SPECS FOR SELF-CONTAINED REFRIGERATION AVAILABLE UPON REQUEST

STANDARD FEATURES:

- Black or white textured powder coat interior.
- Black or white exterior.
- LED light strip mounted to the top ledge of the self-service display.
- One 12"D adjustable metal shelf with a front product stop and LED light strip mounted to the bottom of the shelf.
- Brushed stainless steel refrigerated base storage cabinet with thermal sliding doors.
- Top front mounted refrigerated well for food pans.
- Brushed stainless steel preparation countertop with a removable white nylon cutting board.
- The preparation area is protected by a 14"H front mounted tempered glass sneeze guard, 12"D top shelf and end panels.
- A front mounted refrigerated well holds a series of food pans.
- The refrigerated well has a separate drain line with a shut-off used for cleaning purposes.
- The system has two temperature controllers, one to control the front and top display, the other for the rear storage cabinet.
- Condensate water is removed by an electrical evaporator.

CUSTOM FEATURES:

END PANELS	
The same interior/exterior laminate	
Brushed Stainless Steel interior	
Mirrored laminate interior	
Tempered glass pane	
Mirrored tempered glass pane	
1" black McCue impact bumper strip applied to the end panel	
Other McCue impact bumper sizes and colors available	

FRONT DÉCOR PANEL	
Extended to 9" with 6" kick	

INTERIOR FINISH	
Brushed Stainless Steel	

FRONT TEMPERED GLASS SNEEZEGUARD	
Seamless base mounted sneezeguard	
Straight sneezeguard with square posts	
Straight sneezeguard with round posts	

COUNTERTOP	
Front Ledge Countertop	
- Granite	
- Quartz	
- Solid Surfacing	

EXTERIOR FINISHES	
Formica laminate finish: _____	
Other laminate finish (specify): _____	
Other custom laminate specs: _____	
Brushed Stainless Steel	
Oak Veneer Plywood	
- Vertical grain direction	
- Horizontal grain direction	
Birch/Maple Veneer Plywood	
- Vertical grain direction	
- Horizontal grain direction	
Clear Finish applied to Veneer	
Stain Finish Choice _____	
1" black McCue impact bumper strip applied to the front of the display	
Other McCue impact bumper sizes and colors available	

MISCELLANEOUS OPTIONS	
Pull down night curtain for front display	
PTM on shelf front	
2 ½" Inlay Riser Step	
4" Inlay Riser Step	
Additional shelf level with integrated LED light strip	
Perforated angled inlay panel	



SPECIALTY

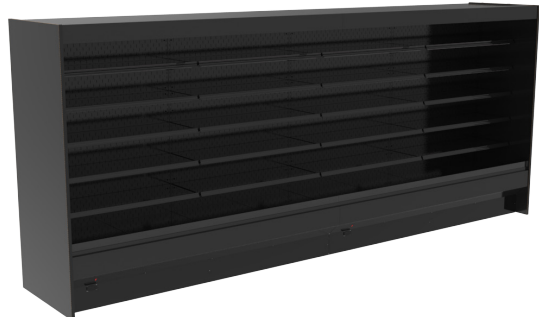


SPECIALTY SELF-SERVICE DISPLAY



FIVE LEVEL 76”H UPRIGHT MEDIUM DEPTH SELF-SERVICE DISPLAY - REMOTE REFRIGERATION

Page 54



SIX LEVEL 82”H UPRIGHT MEDIUM DEPTH SELF-SERVICE DISPLAY - REMOTE REFRIGERATION

Page 56



FOUR LEVEL 60”H UPRIGHT MEDIUM DEPTH SELF-SERVICE DISPLAY - REMOTE REFRIGERATION

Page 58



FOUR LEVEL 60”H UPRIGHT MEDIUM DEPTH SELF-SERVICE END CAP DISPLAY - REMOTE REFRIGERATION

Page 60

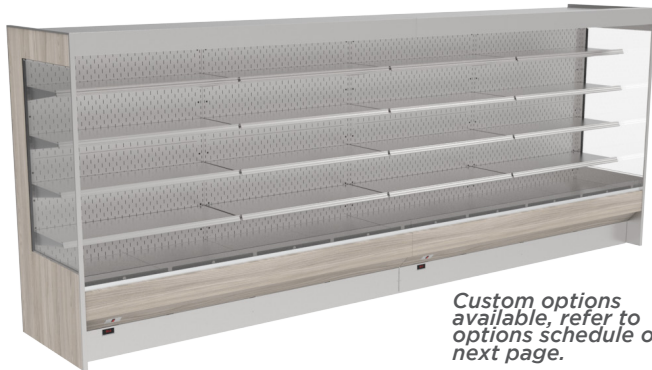
FIVE LEVEL 76"H UPRIGHT MEDIUM DEPTH SELF-SERVICE DISPLAY - REMOTE REFRIGERATION

SSL - UPRIGHT SELF-SERVICE DISPLAY

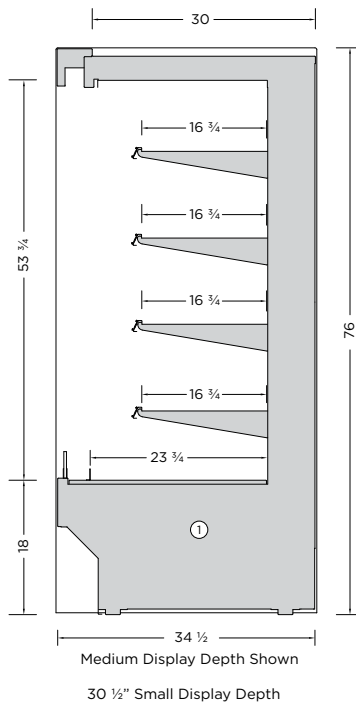
 REFRIGERATED

CREATE A DISPLAY LINE-UP OF ALMOST ANY LENGTH WITH A COMBINATION OF STANDARD DISPLAY LENGTHS

Standard features shown



Custom options available, refer to options schedule on next page.



MODEL	LENGTH
SSL-3876-M	36 1/4"
SSL-4876-M	48 1/4"
SSL-6076-M	60 3/8"
SSL-7276-M	72 1/2"
SSL-9676-M	96 1/2"

Length does not include end panels. Add 1" per panel.

FEATURES:

- Two display depths available, refer to the dimensioned illustration. ①
- Remote refrigeration option only for this display profile.
- Many exterior finish options, powdercoat paint, brushed stainless steel, laminates, and natural wood finishes.
- Three interior finish options, textured powdercoat black, white or brushed stainless steel.
- LED light strips are mounted on the top ledge of the display area and under each shelf level.
- The LED lighting is available in various light intensities/spectrums.
- Medium display depth: 4-16" (Small display depth: 4-14") adjustable metal shelves with integrated front product stop.
- Many display options offered. Refer to the options schedules on the next page.
- Engineered for serviceability and flexibility.
- Removeable base deck panels for easy cleaning and service.
- ETL electrical certification and NSF 7 standards.

Note: Information and specifications may change due to engineering improvements.



FIVE LEVEL 76”H UPRIGHT MEDIUM DEPTH SELF-SERVICE DISPLAY - REMOTE REFRIGERATION

SSL - UPRIGHT SELF-SERVICE DISPLAY

 REFRIGERATED

TECHNICAL SPECS (REMOTE REFRIGERATION)						
MODEL	LENGTH	VOLTS	AMPS	PLUG	BUTH	SUCTION
SSL-3876-M	36 ¼”	115	1.4	NEMA 5-15P	4870	20F
SSL-4876-M	48 ¼”	115	1.4	NEMA 5-15P	5975	20F
SSL-6076-M	60 ¾”	115	1.4	NEMA 5-15P	7170	20F
SSL-7276-M	72 ½”	115	1.9	NEMA 5-15P	9560	20F
SSL-9676-M	96 ½”	115	2.1	NEMA 5-15P	11950	20F

STANDARD FEATURES:

- Remote refrigeration.
- Medium display depth 34 ½” or small display depth 30 ½”.
- Three interior finish options, textured powdercoat black, white or brushed stainless steel.
- Black or white painted front exterior metal décor pan with a 5” vertical flat panel.
- LED light strips are mounted on the top ledge of the display area and under each shelf level.
- 4-16” adjustable metal shelves with integrated front product stop.

CUSTOM FEATURES:

EXTERIOR FINISHES	
Formica laminate finish: _____	
Other laminate finish (specify): _____	
Brushed Stainless Steel	
Oak Veneer Plywood	
Birch/Maple Veneer Plywood	
- Vertical grain direction	
- Horizontal grain direction	
- Clear Finish	
- Stain Finish	
1” black McCue impact bumper strip applied to the front of the display	
Other McCue impact bumper sizes and colors available	

ADDITIONAL FEATURES:

- Designed to maintain the critical temperature of the products within the display at a range of 38-41°F (3-5°C) with an ambient atmosphere of 75°F (24°C)/55% humidity. Designed for holding pre-chilled product only.
- 1-year parts and labor warranty.

END PANELS	
The same interior/exterior laminate	
Brushed stainless steel interior	
Mirrored laminate interior	
Thermal glass pane	
1” black McCue impact bumper strip applied to the end panel	
Other McCue impact bumper sizes and colors available	

MISCELLANEOUS	
Additional metal shelf with integrated LED lighting	
Aluminum or painted price tag mould attached to the front of the shelves	
Plastic price stripping attached to the front of the shelves	
4”H x 6 ½”D 3 Tier stepped riser	
4”H x 5 ¼”D 4 Tier stepped riser	
2 ½”H x 13”D Single step riser	
4”H x 9”D Single step riser	
Clip-in angled base inlay	

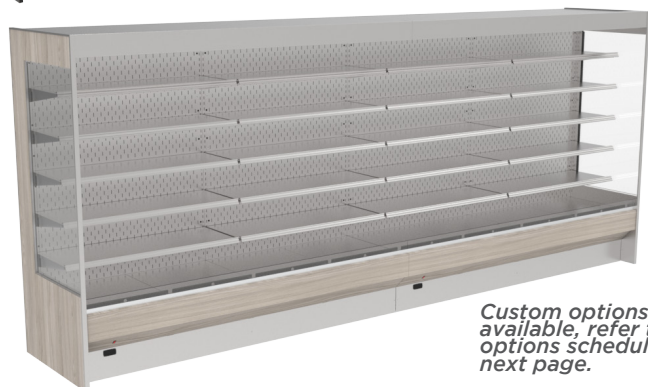
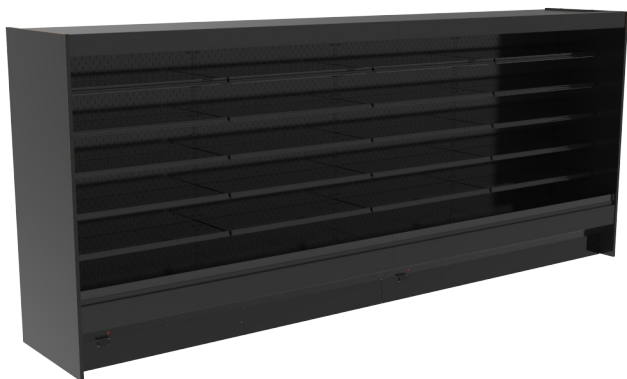
SIX LEVEL 82"H UPRIGHT MEDIUM DEPTH SELF-SERVICE DISPLAY - REMOTE REFRIGERATION

SSL - UPRIGHT SELF-SERVICE DISPLAY

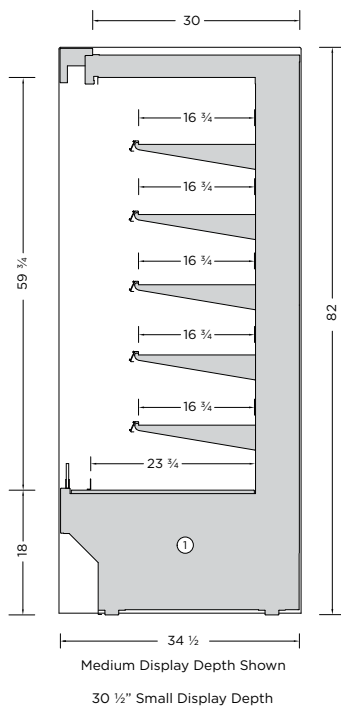
 REFRIGERATED

CREATE A DISPLAY LINE-UP OF ALMOST ANY LENGTH WITH A COMBINATION OF STANDARD DISPLAY LENGTHS

Standard features shown



Custom options available, refer to options schedule on next page.



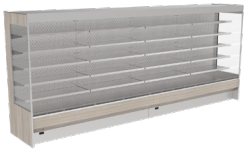
MODEL	LENGTH
SSL-3882-M	36 1/4"
SSL-4882-M	48 1/4"
SSL-6082-M	60 3/8"
SSL-7282-M	72 1/2"
SSL-9682-M	96 1/2"

Length does not include end panels. Add 1" per panel.

FEATURES:

- Two display depths available, refer to the dimensioned illustration. ①
- Remote refrigeration option only for this display profile.
- Many exterior finish options, powdercoat paint, brushed stainless steel, laminates, and natural wood finishes.
- Three interior finish options, textured powdercoat black, white or brushed stainless steel.
- LED light strips are mounted on the top ledge of the display area and under each shelf level.
- The LED lighting is available in various light intensities/spectrums.
- Medium display depth: 5-16" (Small display depth: 5-14") adjustable metal shelves with integrated front product stop.
- Many display options offered. Refer to the options schedules on the next page.
- Engineered for serviceability and flexibility.
- Removeable base deck panels for easy cleaning and service.
- ETL electrical certification and NSF 7 standards.

Note: Information and specifications may change due to engineering improvements.



SIX LEVEL 82”H UPRIGHT MEDIUM DEPTH SELF-SERVICE DISPLAY - REMOTE REFRIGERATION

SSL - UPRIGHT SELF-SERVICE DISPLAY

REFRIGERATED

TECHNICAL SPECS (REMOTE REFRIGERATION)						
MODEL	LENGTH	VOLTS	AMPS	PLUG	BUTH	SUCTION
SSL-3882-M	36 ¼”	115	1.4	NEMA 5-15P	4870	20F
SSL-4882-M	48 ¼”	115	1.4	NEMA 5-15P	5975	20F
SSL-6082-M	60 ¾”	115	1.4	NEMA 5-15P	7170	20F
SSL-7282-M	72 ½”	115	1.9	NEMA 5-15P	9560	20F
SSL-9682-M	96 ½”	115	2.1	NEMA 5-15P	11950	20F

STANDARD FEATURES:

- Remote refrigeration.
- Medium display depth 34 ½” or small display depth 30 ½”.
- Three interior finish options, textured powdercoat black, white or brushed stainless steel.
- Black or white painted front exterior metal décor pan with a 5” vertical flat panel.
- LED light strips are mounted on the top ledge of the display area and under each shelf level.
- 4-16” adjustable metal shelves with integrated front product stop.

CUSTOM FEATURES:

EXTERIOR FINISHES	
Formica laminate finish: _____	
Other laminate finish (specify): _____	
Brushed Stainless Steel	
Oak Veneer Plywood	
Birch/Maple Veneer Plywood	
- Vertical grain direction	
- Horizontal grain direction	
- Clear Finish	
- Stain Finish	
1” black McCue impact bumper strip applied to the front of the display	
Other McCue impact bumper sizes and colors available	

ADDITIONAL FEATURES:

- Designed to maintain the critical temperature of the products within the display at a range of 38-41°F (3-5°C) with an ambient atmosphere of 75°F (24°C)/55% humidity. Designed for holding pre-chilled product only.
- 1-year parts and labor warranty.

END PANELS

The same interior/exterior laminate	
Brushed stainless steel interior	
Mirrored laminate interior	
Thermal glass pane	
1” black McCue impact bumper strip applied to the end panel	
Other McCue impact bumper sizes and colors available	

MISCELLANEOUS

Additional metal shelf with integrated LED lighting	
Aluminum or painted price tag mould attached to the front of the shelves	
Plastic price stripping attached to the front of the shelves	
4”H x 6 ½”D 3 Tier stepped riser	
4”H x 5 ¼”D 4 Tier stepped riser	
2 ½”H x 13”D Single step riser	
4”H x 9”D Single step riser	
Clip-in angled base inlay	

FOUR LEVEL 60" H UPRIGHT MEDIUM DEPTH SELF-SERVICE DISPLAY - REMOTE REFRIGERATION

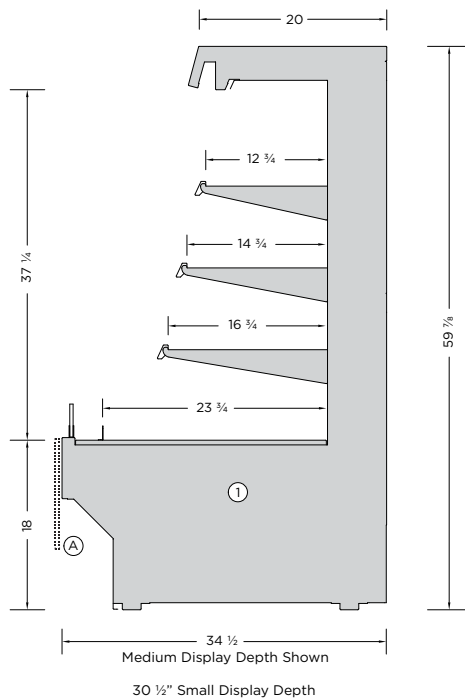
ISSL - UPRIGHT SELF-SERVICE DISPLAY

 REFRIGERATED

CREATE A DISPLAY LINE-UP OF ALMOST ANY LENGTH WITH A COMBINATION OF STANDARD DISPLAY LENGTHS



Standard features shown



MODEL	LENGTH
ISSL-3660-MR	36 1/4"
ISSL-4860-MR	48 1/4"
ISSL-6060-MR	60 3/8"
ISSL-7260-MR	72 1/2"
ISSL-9660-MR	96 1/2"

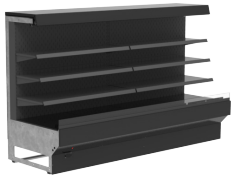
FEATURES:

- Two display depths available, refer to the dimensioned illustration. ①
- Create single, back to back or island configurations.
- Remote refrigeration option only for this display profile.
- Many exterior finish options, powdercoat paint, brushed stainless steel, laminates, and natural wood finishes.
- Three interior finish options, textured powdercoat black, white or brushed stainless steel.
- LED light strips are mounted on the top ledge of the display area and under each shelf level.
- The LED lighting is available in various light intensities/spectrums.
- Medium display depth: 1-12", 1-14" and 1-16" (Small display depth: 1-10", 1-12" and 1-14") adjustable metal shelves with integrated front product stop.
- Front base décor panel options ② provide a more customized look.
- Many display options offered. Refer to the options schedules on the next page.
- Engineered for serviceability and flexibility.
- Removeable base deck panels for easy cleaning and service.
- ETL electrical certification and NSF 7 standards.

Note: Information and specifications may change due to engineering improvements.



Extended décor shown. Custom options available, refer to options schedule on next page



FOUR LEVEL 60”H UPRIGHT MEDIUM DEPTH SELF-SERVICE DISPLAY - REMOTE REFRIGERATION

ISSL - UPRIGHT SELF-SERVICE DISPLAY

REFRIGERATED

TECHNICAL SPECS (REMOTE REFRIGERATION)						
MODEL	LENGTH	VOLTS	AMPS	PLUG	BUTH	SUCTION
ISSL-3660-MR	36 ¼”	115	1.4	NEMA 5-15P	3800	20F
ISSL-4860-MR	48 ¼”	115	1.4	NEMA 5-15P	4500	20F
ISSL-6060-MR	60 ¾”	115	1.4	NEMA 5-15P	5225	20F
ISSL-7260-MR	72 ½”	115	1.9	NEMA 5-15P	6855	20F
ISSL-9660-MR	96 ½”	115	2.1	NEMA 5-15P	8440	20F

Length does not include end panels. Add 1” per panel.

STANDARD FEATURES:

- Remote refrigeration.
- Medium display depth 34 ½” or small display depth 30 ½”.
- Three interior finish options, textured powdercoat black, white or brushed stainless steel.
- Black or white painted front exterior metal décor pan with a 5” vertical flat panel.
- LED light strips are mounted on the top ledge of the display area and under each shelf level.
- 1-12”, 1-14” and 1-16” adjustable metal shelves with integrated front product stop.

CUSTOM FEATURES:

EXTERIOR FINISHES	
Formica laminate finish: _____	
Other laminate finish (specify): _____	
Brushed Stainless Steel	
Oak Veneer Plywood	
Birch/Maple Veneer Plywood	
- Vertical grain direction	
- Horizontal grain direction	
- Clear Finish	
- Stain Finish	
10 ⅛”H extended front décor panel	
1” black McCue impact bumper strip applied to the front of the display	
Other McCue impact bumper sizes and colors available	

ADDITIONAL FEATURES:

- Designed to maintain the critical temperature of the products within the display at a range of 38-41°F (3-5°C) with an ambient atmosphere of 75°F (24°C)/55% humidity. Designed for holding pre-chilled product only.
- 1-year parts and labor warranty.

END PANELS	
The same interior/exterior laminate	
Brushed stainless steel interior	
Mirrored laminate interior	
Thermal glass pane	
1” black McCue impact bumper strip applied to the end panel	
Other McCue impact bumper sizes and colors available	

MISCELLANEOUS	
Additional metal shelf with integrated LED lighting	
Aluminum or painted price tag mould attached to the front of the shelves	
Plastic price stripping attached to the front of the shelves	
4”H x 6 ½”D 3 Tier stepped riser	
4”H x 5 ¼”D 4 Tier stepped riser	
2 ½”H x 13”D Single step riser	
4”H x 9”D Single step riser	
Clip-in angled base inlay	

FOUR LEVEL 60”H UPRIGHT MEDIUM DEPTH SELF-SERVICE END CAP DISPLAY - REMOTE REFRIGERATION

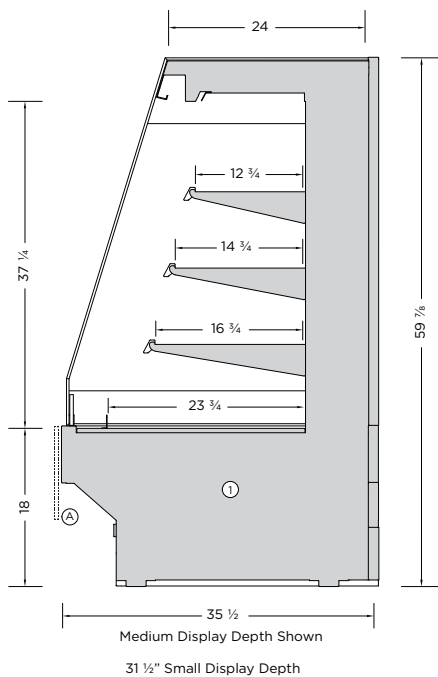
ISSL - UPRIGHT SELF-SERVICE DISPLAY

 REFRIGERATED

CREATE A DISPLAY LINE-UP OF ALMOST ANY LENGTH WITH A COMBINATION OF STANDARD DISPLAY LENGTHS



Standard features shown



MODEL	LENGTH
ISSL-6060-E-MR	62"
ISSL-7260-E-MR	74 1/8"

FEATURES:

- Two display depths available, refer to the dimensioned illustration. ①
- End cap displays are designed to cap the end/ends island line-up configurations. They can also be used as stand-alone displays.
- Integrated end panels with thermal glass panes.
- Remote refrigeration option only for this display profile.
- Many exterior finish options, powdercoat paint, brushed stainless steel, laminates, and natural wood finishes.
- Three interior finish options, textured powdercoat black, white or brushed stainless steel.
- LED light strips are mounted on the top ledge of the display area and under each shelf level.
- The LED lighting is available in various light intensities/spectrums.
- Medium display depth: 1-12", 1-14" and 1-16" (Small display depth: 1-10", 1-12" and 1-14") adjustable metal shelves with integrated front product stop.
- Front base décor panel options (A) provide a more customized look.
- Many display options offered. Refer to the options schedules on the next page.
- Engineered for serviceability and flexibility.
- Removeable base deck panels for easy cleaning and service.
- ETL electrical certification and NSF 7 standards.

Note: Information and specifications may change due to engineering improvements.



Extended décor shown. Custom options available, refer to options schedule on next page



FOUR LEVEL 60”H UPRIGHT MEDIUM DEPTH SELF-SERVICE END CAP DISPLAY - REMOTE REFRIGERATION

ISSL - UPRIGHT SELF-SERVICE DISPLAY

REFRIGERATED

TECHNICAL SPECS (REMOTE REFRIGERATION)							
MODEL	LENGTH	VOLTS	AMPS	PLUG	BUTH	SUCTION	NOTE
ISSL-6060-E-MR	62”	115	1.4	NEMA 5-15P	5225	20F	Designed to cap the small display depth cases
ISSL-7260-E-MR	74 1/8”	115	1.4	NEMA 5-15P	6855	20F	Designed to cap the small & medium display depth cases

Length does not include end panels. Add 1” per panel.

STANDARD FEATURES:

- Remote refrigeration.
- Medium display depth 35 1/2” or small display depth 31 1/2”.
- Three interior finish options, textured powdercoat black, white or brushed stainless steel.
- Black or white painted front exterior metal décor pan with a 5” vertical flat panel.
- LED light strips are mounted on the top ledge of the display area and under each shelf level.
- • 1-12”, 1-14” and 1-16” adjustable metal shelves with integrated front product stop.

CUSTOM FEATURES:

EXTERIOR FINISHES	
Formica laminate finish: _____	
Other laminate finish (specify): _____	
Brushed Stainless Steel	
Oak Veneer Plywood	
Birch/Maple Veneer Plywood	
- Vertical grain direction	
- Horizontal grain direction	
- Clear Finish	
- Stain Finish	
10 1/8”H extended front décor panel	
1” black McCue impact bumper strip applied to the front of the display	
Other McCue impact bumper sizes and colors available	

ADDITIONAL FEATURES:

- Designed to maintain the critical temperature of the products within the display at a range of 38-41°F (3-5°C) with an ambient atmosphere of 75°F (24°C)/55% humidity. Designed for holding pre-chilled product only.
- 1-year parts and labor warranty.

END PANELS	
The same interior/exterior laminate	
Brushed stainless steel interior	
Mirrored laminate interior	
Thermal glass pane	
1” black McCue impact bumper strip applied to the end panel	
Other McCue impact bumper sizes and colors available	

MISCELLANEOUS	
Additional metal shelf with integrated LED lighting	
Aluminum or painted price tag mould attached to the front of the shelves	
Plastic price stripping attached to the front of the shelves	
4”H x 6 1/2”D 3 Tier stepped riser	
4”H x 5 1/4”D 4 Tier stepped riser	
2 1/2”H x 13”D Single step riser	
4”H x 9”D Single step riser	
Clip-in angled base inlay	

HOW TO CALCULATE LENGTH OF LINE-UP

Available Showcase Section Lengths (Without End Panels)			
Nominal Length (Feet)	Nominal Length (Inches)	Actual Length (Fractional)	Actual Length (Decimal)
3'	38"	38 ¼"	38.250"
4'	48"	47 ⅞"	47.875"
5'	57"	57 ⅜"	57.375"
6'	76"	76 ½"	76.500"
8'	96"	95 ⅝"	95.625"

Procedure:

1. Take total desired length of line-up in feet and divide by eight.
2. Split resulting number into two parts; the whole number and the decimal number.
3. The whole number represents the number of eight-foot sections.
4. The decimal number needs to be multiplied by eight to determine the nominal length of the final section.

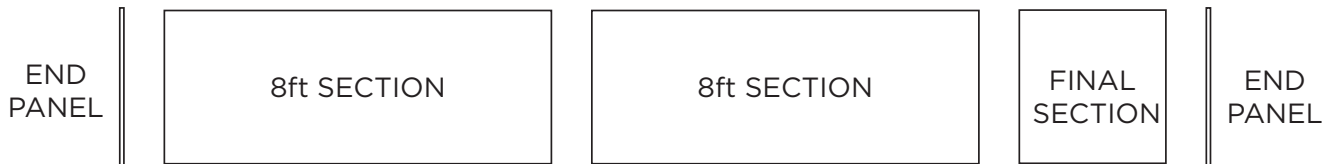
Example:

1. Desired length is 27ft;
$$27 \div 8 = 3.375$$
2. Whole number is 3 and decimal number is 0.375.
3. The 3 represents the number of eight-foot sections.
4. The decimal number of 0.375 multiplied by eight is used to determine the final section length (in this example it is a three-foot section).

$$0.375 \times 8 = 3$$



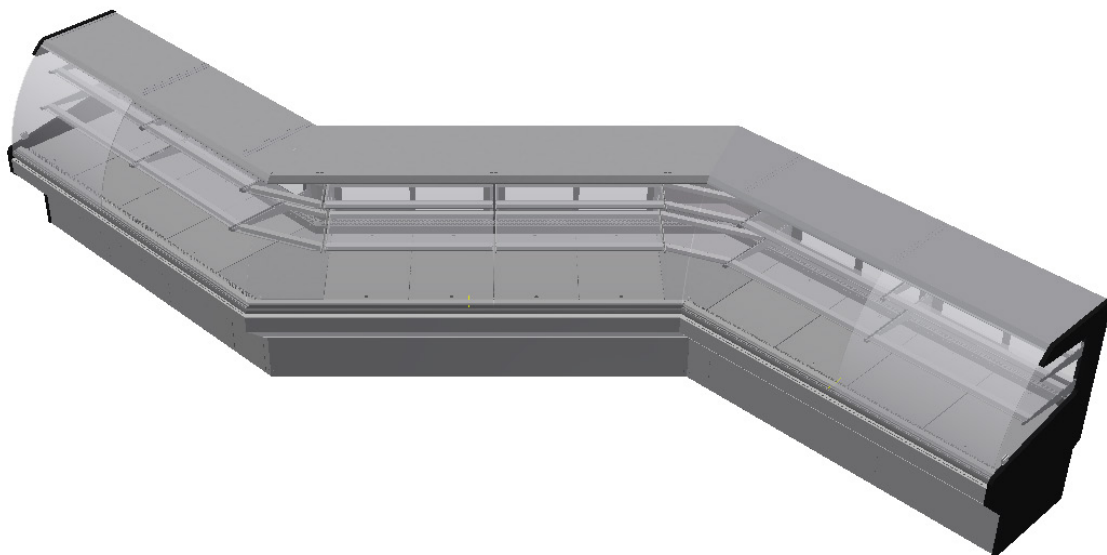
⇓ BROKEN DOWN INTO SECTIONS ⇓



In general, most line-ups can be broken down into 8ft sections with a single final section making up the remaining length desired as shown in the figure above. The line-up is then completed with a 1” thick end panel on each end. The chart on the page before can be used to calculate the actual length of the line-up.

Note:

This is a guideline, exact configuration and final length will need to be determined by engineering.



ACTUAL CASE LENGTH CALCULATION OF LINE-UP

To determine the actual length of the line-up:

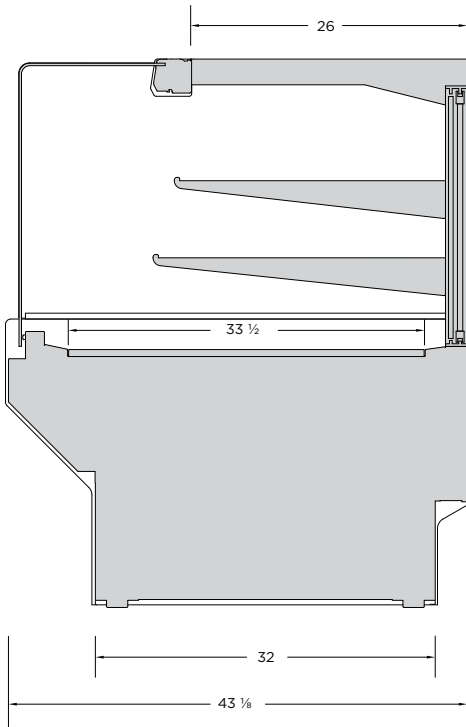
1. Take the whole number from the procedure mentioned on the previous page and multiply it by the **actual length (decimal)** of an 8ft section.
2. Take the final section length value from the procedure mentioned on the previous page and determine the **actual length (decimal)** of the section.
3. Add 2 inches to actual length value to represent an end panel on each end.
4. Divide the final value obtained in the above step by 12 to determine the length of the line-up in feet.

Example:

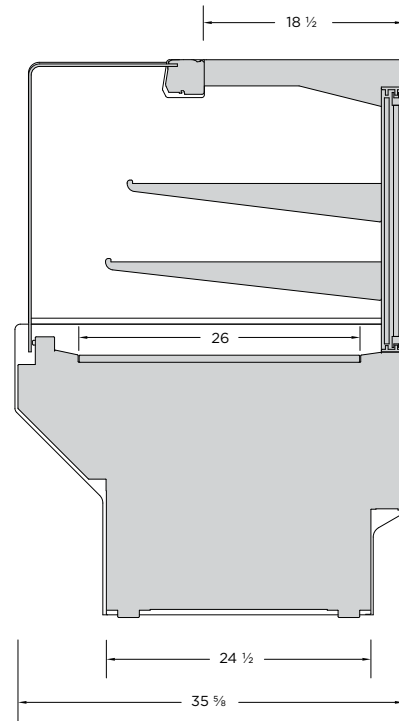
1. Whole number in the previous example was 3; actual length of three 8ft sections is
$$3 \times 96.625 = 286.875$$
2. Final section length in the previous example was a 3ft section; actual length of final section is 38.25
3. $286.875 + 38.25 = 325.125$ inches
4. $325.125 + 2 = 327.125$ inches
5. $327.125 \div 12 = 27.26$ feet.

Total **actual** length of the lineup is 27.26ft (or 27 ft 3 1/8 in)

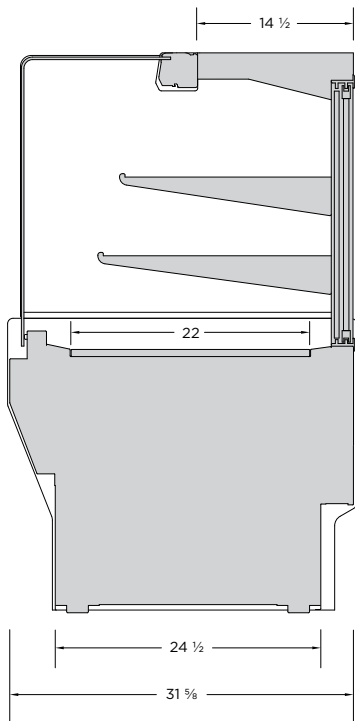
CASE DEPTHS



Large Frame Depth



Medium Frame Depth



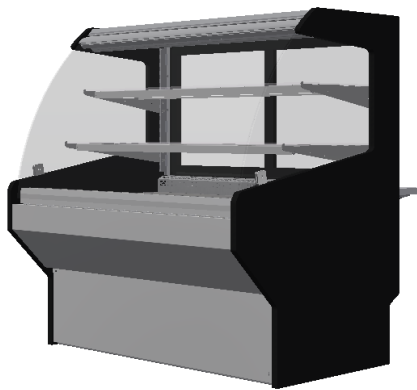
Small Frame Depth

SHOWCASE CONSTRUCTION

- Concept: sheet metal construction creates a strong, rigid, high-quality showcase that allows for easy customization when required
- Full-length accessible wire way allows for easy wiring & component replacement
- Standardized design of framework allows for wide variety of exterior and interior materials/finishes
- Sled-runner base and adjustable struts make installation and alignment easy
- Easy-to-access areas for electrical, plumbing and refrigeration installation

LIFT-UP GLASS

Glass Front Closed



Glass Front Open



Positive

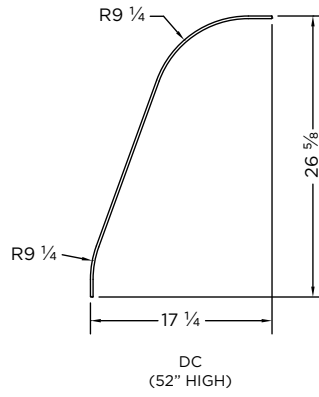
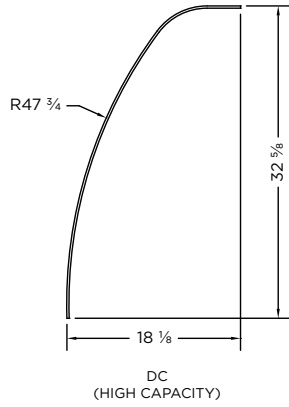
- Easier to gain access to clean and perform maintenance inside case
- Easier to load product into the front of case
- Easier access to adjust shelves

Negative

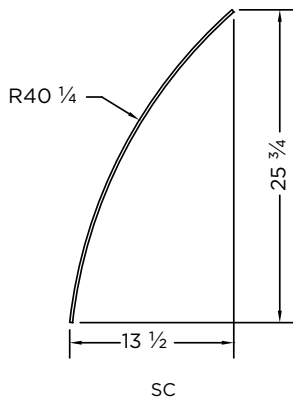
- More expensive
- Safety issues - chance of hitting head on glass
- Increase in maintenance of parts

GLASS PROFILES

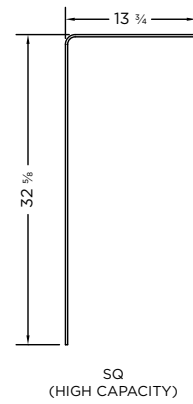
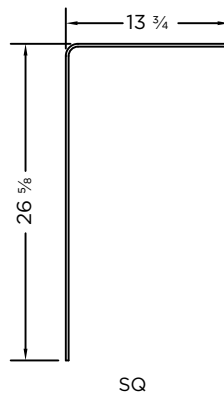
DC~ Double Curve



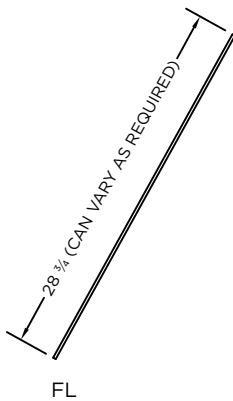
SC~ Single Curve



SQ~ Square



FL~ Flat



SQUARE GLASS DESIGN. WHY OURS IS BETTER

- Concept: single-piece square glass design creates sharp appearance showcase with increased product capacity
- Single piece design reduces complexity and cost
- Tight bend radius has very little effect on sightlines
- Available in tilt-out or lift-up operation
- Square glass profile allows for ~15% increase in product capacity (vs. other glass setups)
- Vertical front panel of glass allows for product to be displayed up to 6" closer to customer (vs. other glass setups)
- Cost effective
- Less complex = less maintenance
- Less glass alignment issues
- Better presentation of product
- No glass chipping
- Cleaner look
- Less bulky hardware = better visibility
- No sagging/
breaking hardware



FRONT DECOR PANEL STYLES



Standard 4" Decor Panel



Standard 11 1/2" Decor Panel



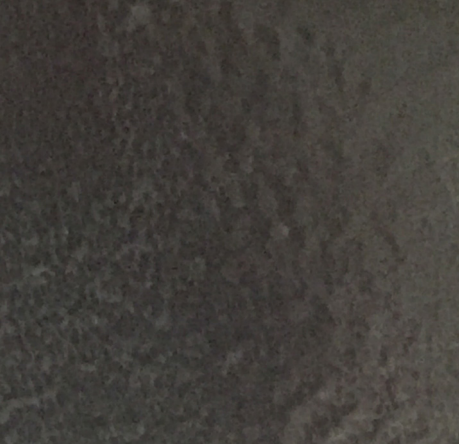
Extended Decor Panel

EXTERIOR FINISHES

Laminate



Textured Painted Metal



Vinyl



Wood



Stainless Steel

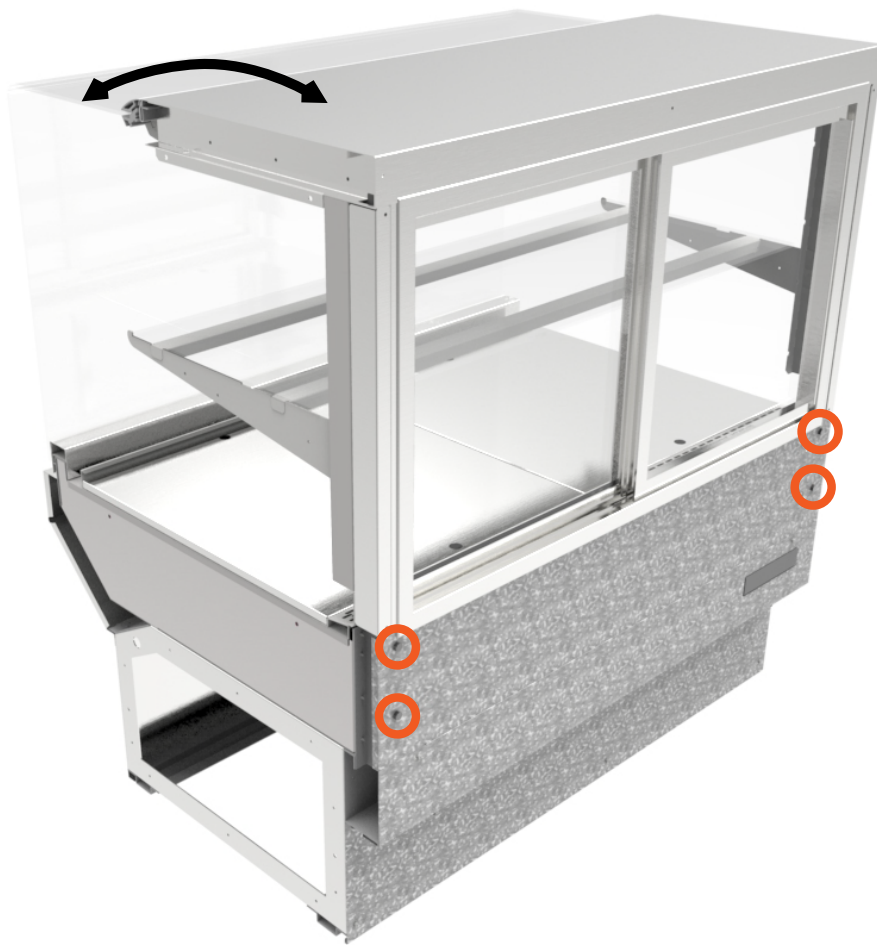


Wood Panel



ADJUSTABILITY OF THE CASES

Our unique strut system is designed to allow you to slightly adjust the angle at which the front glass, shelves and top

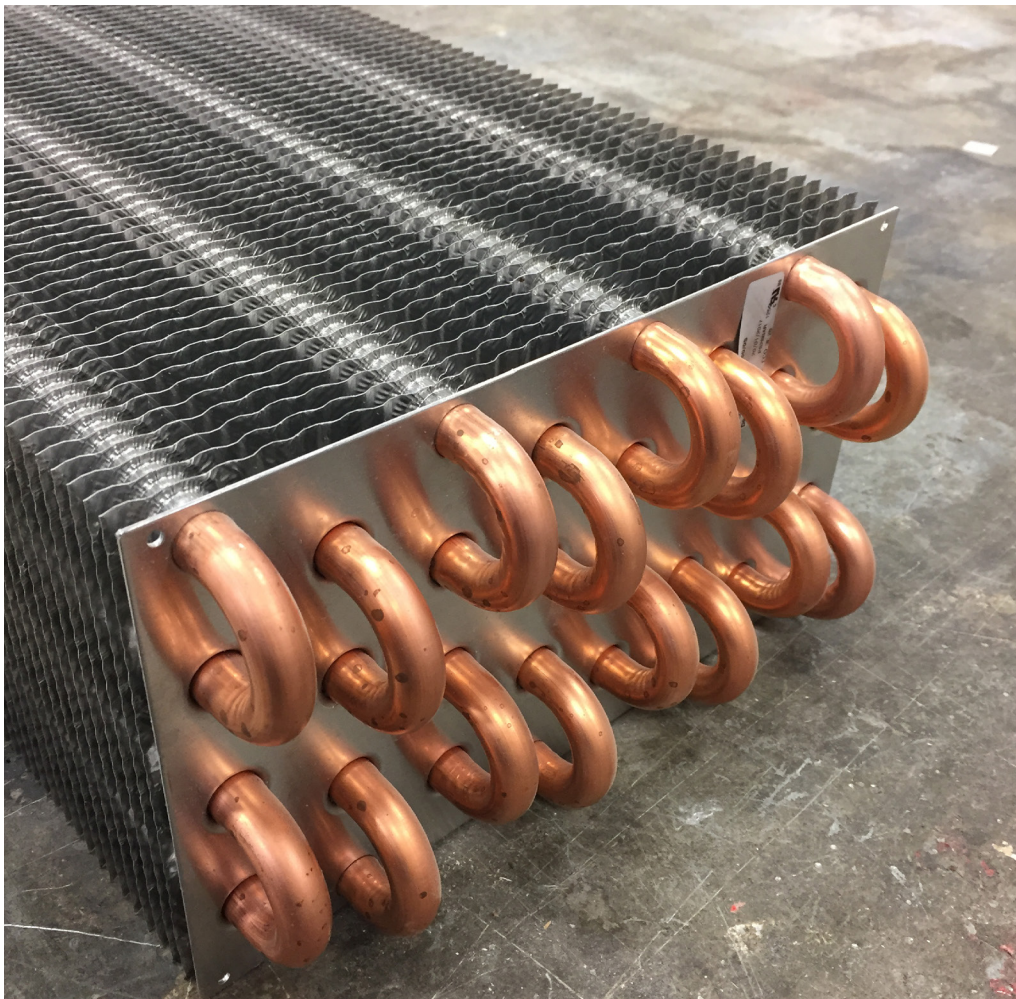


deck (typically metal or glass) sit. Adjusting the two bolts (circled in red in the image above) located at the rear of the unit on either end of a case section will allow the strut system to be tilted forward and down or back and up as indicated by the black arrow. This will allow you

to level and line up your front glass and shelves to help create the look of a seamless case and to better help showcase your product.

COLD AND SLOW REFRIGERATION TECHNOLOGY

- Concept: move more air, more slowly
- Evaporator coils are multi circuit with staggered tubes and ripple fins for improved cooling and efficiency (Heresite dipping available)
- Back of speed-controlled small fans lifts air to let it drop naturally instead of high-speed air rotation
- TEV's allow the showcase to operated efficiently over a range of temperatures for more flexibility
- Gets to temp faster
- More even distribution
- Better energy efficiency



SERVICEABILITY



Electrical Raceway



LED LIGHTING

	LIGHT TYPE (KELVIN/COLOUR RENDERING INDEX)		
	STANDARD LIGHTS/NATURAL WHITE LIGHTS (4100K, 94+ CRI)	MEAT SPECIAL LIGHTS (4100K, 91 CRI) W/ RED-LIGHT DIODES	GOLDEN WARM WHITE LIGHTS (3500K, 94 CRI)
	Recommended for the enhancement of natural hues of products	Recommended for the enhancement of red & pink hues without compromising the other colours	Recommended for products that contain brown & yellow hues
FRESH MEAT		X	
DELI		X	
SEAFOOD	X	X	
OLIVE BAR	X	X	
SALAD BARS	X	X	
PREPARED FOODS	X	X	
HOT BARS - FRIED FOODS			X
HOT BARS - PREPARED FOODS	X		
FRESH PRODUCE	X		
DAIRY	X		
CAKES	X		
BAKED GOODS/BREADS			X

Kelvin (K)

- A measure of the colour of a light source. Incandescent lights have a low colour temperature of approximately 2200-3000K and are called warm colours (red-yellowish tone). Warm white LED lamps have a colour temperature between 2000-3000K. Lamps related between 3100-4500K are viewed as white and are called cool colours (bluish-white tone), white lamps above 4600-6000K tend to have blue cast.

Colour Rendering Index (CRI)

- CRI is a scale from 0 to 100 percent indicating how accurate a “given” light source is at rendering colour when compared to a “reference” light source. The higher the CRI, the better the colour rendering ability.



Formica® Laminate

Formica Group provides surfaces that fuse beautiful design with purposeful functionality. Formica® Products provide versatile surfacing solutions that are inspired by and adapt to the way people live, work and play.

Formica® Brand Laminate offers a broader range of looks than ever before. Transform spaces with our modern laminates that are as beautiful as they are durable. Mix and match solids, patterns and finishes.

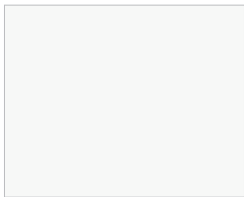
Product Features:

- Postforming
- Durable and Wear-resistant
- Horizontal and Vertical
- Impact Resistant

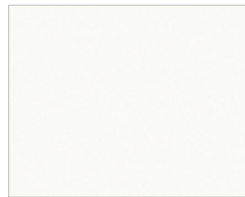
Formica® EliteForm

Our innovative Formica® EliteForm surfacing technology redefines the performance attributes of high pressure laminate to deliver a more durable laminate for today's market. Formica® Laminate with EliteForm features superior scratch resistance over other laminate brands, the ability to postform to a smaller radius with better blister resistance, and more durable, long-lasting surfaces, including the Gloss texture in horizontal applications. EliteForm comes standard on all Formica® Laminates, at no additional cost.

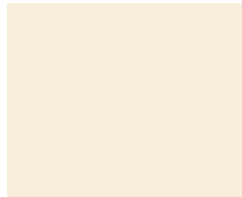
Price Group One: All Colours are matte (-58) finish



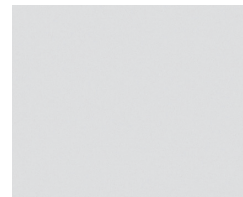
949
White



7197
Dover White



920
Almond



927
Folkstone



961
Fog



845
Spectrum Red



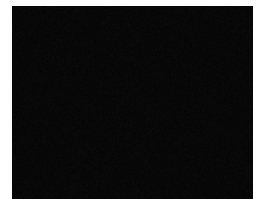
7897
Spectrum Green



914
Marine Blue



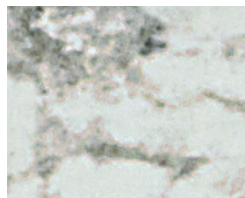
2297
Terril



909
Black



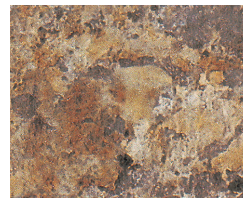
6696
Carrara Bianco



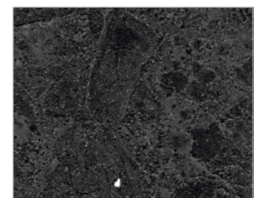
9476
White Ice Granite



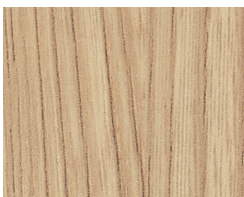
9497
Silver Quartzite



7732
Butterum Granite



9527
Black Shalestone



8844
Aged Ash



5883
Pecan Woodline



5884
Chestnut Woodline



9283
Walnut Riftwood



6414
Black Riftwood

Price Group Two: All Colours are matte finish



6997
Pale Brushstroke



6998
Wood Brushstroke



7813
Cardboard Solidz



9319
Stainless



8918
Blackened Steel



9310
White Marble Herringbone



9285
White Twill



6698
Paloma Pear



503
Stone Grafix



8830
Elemental Concrete



8841
White Ash



5785
Ashwood Beige



5795
Camel Elm



8845
Bleached Legno



8916
Blackened Fiberwood



86992
Hardrock Maple



7012
Amber Maple



8677
Scandi Rift Oak



6995
Cherry Walnut



7759
Select Cherry



Formica Canada Inc. is located in St-jean-sur-Richelieu, Quebec, and employs more than 250 people.

Formica Canada is proud to be part of the Well Made Here local purchasing program.

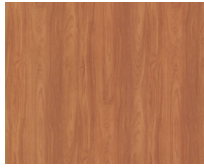
As the inventor of high pressure laminate, Formica Corporation has always worked to provide innovative, high quality products. Efficient use of resources is at our core, and we have taken many steps to improve our environmental footprint - from reusing the water in our presses to incorporating recycled materials into our surfacing products. We are committed to a long-term planning horizon that includes becoming an industry-leading environmental steward.



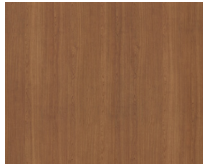
For larger laminate sample, please visit:
cayugadisplays.com 1-800-839-5536
formica.com 1-800-FORMICA™

WOOD STAINS

CAYUGA STANDARD WOOD GRAINS



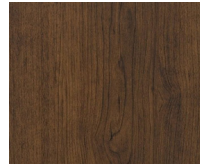
Oiled Cherry
Match to Pionite/Panolam
WC421



Wild Cherry
Match to Formica 5904-43



Select Cherry
Match to Formica 7759



Choco Cherry
Match to Panval/Uniboard
207



Natural Maple



Pearwood
Match to Pionite/Panolam
WX031



Weathered Wood



Concerto



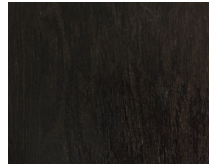
Danish Walnut
Match to Arborite Parliament
Walnut W305



Witchcraft
Match to Pionite/Panolam
WX421



Iron Mountain



Baloil

Refer to physical swatches for a true representation of colors, above images may appear slightly different than actual samples.

PAINTED METAL

- **Standard products in stock**
- **RAL Program** colours not listed are also available upon request
- **Non-RAL Program** colours have long lead times and could affect deliver date

CAYUGA STOCK COLOURS



Cayuga Black



Cayuga White

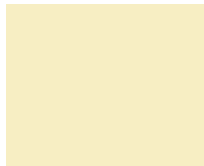
Cayuga black and white colours come in a textured finish.

Matte finish is available upon request.

RAL STOCK COLOURS



Traffic Blue
Ral 5017



Cream
Ral 9001



Pure White
Ral 9010



Traffic Orange
Ral 2009



Pebble Grey
Ral 7032



Basalt Grey
Ral 7012



Traffic Grey
Ral 7042



Quartz Grey
Ral 7039



Traffic Red
Ral 3020

HOW TO ORDER

We'll help you select the right case for your requirements. The steps below will help us to serve you best.

- 1 Choose the showcase that meets your display requirements from the product specification sheets.
- 2 Review the options table found on the specification sheet and make your selections of the options provided.
- 3 Select from the large pallet of colours found on the last five pages of the brochure, or choose a stainless steel, standard black or white for the exterior finish of your showcase.
- 4 E-mail your request for a quote to your Cayuga sales representative or sales@cayugadisplays.com and we will quickly respond to your request. Please include your full contact information in case we have any questions.

Contact the inside sales team

Cayuga Displays

E: sales@cayugadisplays.com

T: 1-800-839-5536

F: 1-905-772-3179



T: 800.839.5536 F: 905.772.3179

E: sales@cayugadisplays.com

**A: 88 Talbot St E, PO Box 130
Cayuga, ON N0A 1E0**

